

PEDESTRIAN ACCESS CONTROL SYSTEMS

ÖZAK
T



**TURNSTILES
SPEED GATES
HIGH SECURITY SOLUTIONS**


THE RIGHT CHOICE



ozak-t.com



THE RIGHT CHOICE



1989
First Turnstile
Started to produce
turnstiles and gates.



2008
Investment in Facility
Production facilities
reached **2.700 m²** from
500 m².



2012
International Market Growth
Export sales reached
more than 50% of
turnover.

NR-D Systeme GmbH
was founded in
Germany.



2014
New Product
Launched **Road Blocker**
products.

Production facilities
reached **8.500 m².**



2018
Investment in Facility
Production facilities
reached **33.700 m²** of
which **21.000 m²** is
covered area.



1976
Foundation
Ozak was founded by
Ozalp Family



2006
Increase in Production
Reached **1.000 units**
per year.



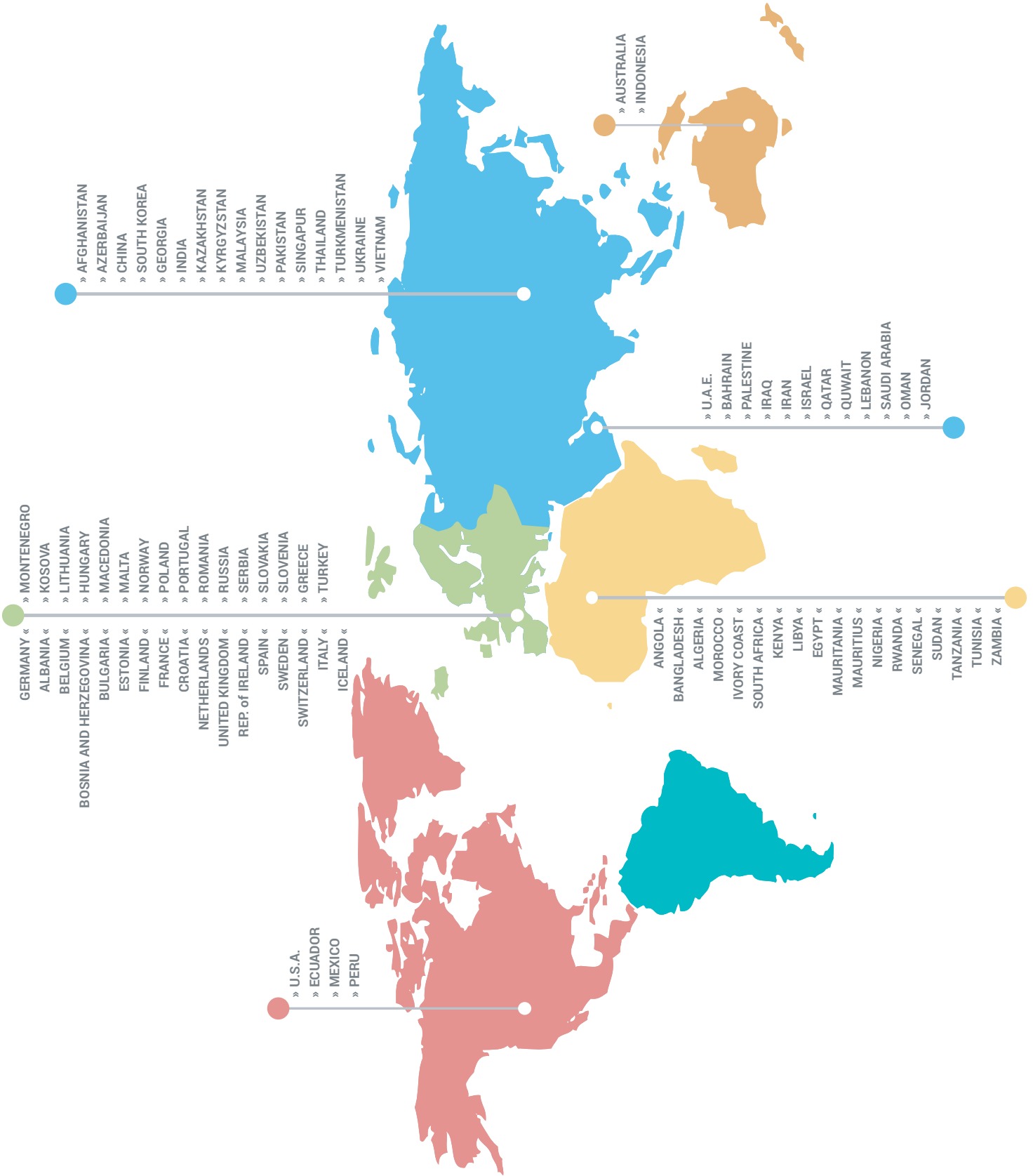
2010
Investment in Facility
Production facilities
reached **3.600 m²** from
2.700 m².



2013
Increase in Production
Reached **5.000 units**
per year.



2015
New Product
Launched **Bollard**
products.





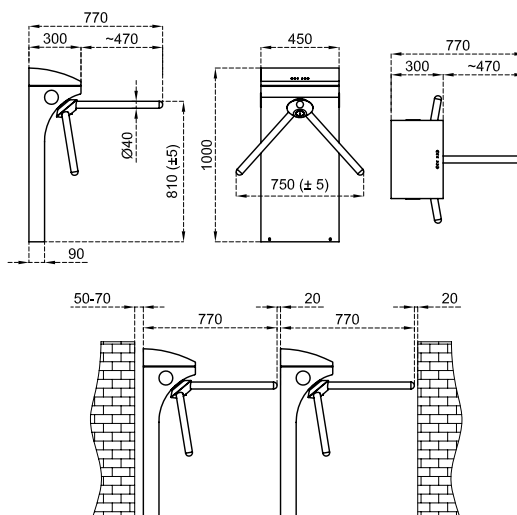


Waist Height Turnstiles - **Tripod**

602



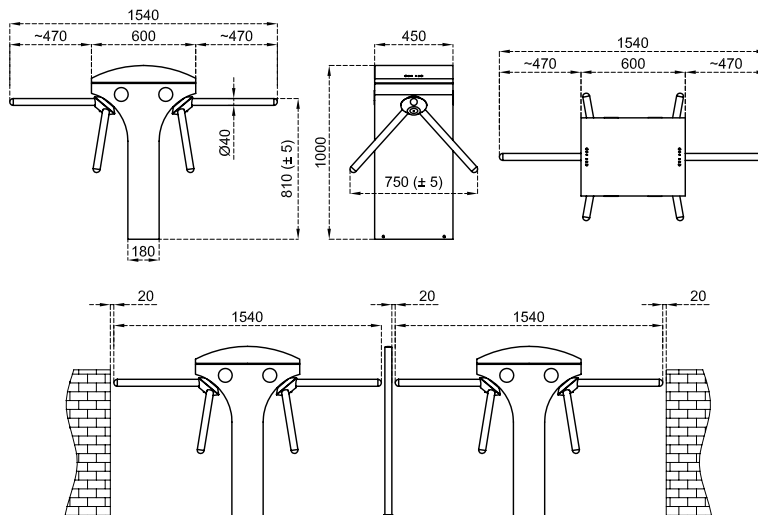
Body Features	304-grade (Opt. 316-grade) stainless steel with brushed (Opt. satin) surface.
Arms	Ø40 mm x 2 mm 304 grade stainless steel (Opt. 316-grade stainless steel).
Power Requirements	110/220-240 V. 60/50 Hz. AC (%±10) 24 V. DC at standby ~4,5 W. max. ~13 W.
Control System	All inputs are opto-coupler protected. Compatible with all access control systems that provide dry contact or grounding outputs. Optional RS232/RS485/TCP IP control modules is available.
Flow Rate	Capacity of mechanism (manual) : Max. 97 pass/min. Nominal : ~20 pass/min. Capacity of mechanism (motorized) : Max. 48 pass/min. Nominal : ~16 pass/min. *Utilisation of different access control units can change the flow rate.
Emergency Mode	System allows free passage in emergency mode and in case of power failure.
Operation Temperature, Humidity, IP Rating	-20°C to +68°C (-50°C with optional heater unit), RH 95% non-condensing / IP 54 outdoor model (Opt. IP 56)
Minimum Passage Performance	≥ 15 million passages.
Operation	Manually operated bi-directional system (optional motorized) with dip switch selectable operational modes including controlled access on both sides, one side free (exit or entry), other side controlled access and access restriction modes.
Optional Accessories and Applications	Remote control units, interface unit for PC, RS485, RS232 and LAN, counter, audio-messaging system, motor driven unit, automatic drop (retractable) arm, alarm sensor, heater positive unit, coin slot/intelligent coin system and coin box, card reader pole, pipe barrier (separator), floor mounting plate, customised top covers to accommodate various accessories.



602 D



Body Features	304-grade (Opt. 316-grade) stainless steel with brushed (Opt. satin) surface .
Arms	Double-sided. Ø40 mm x 2 mm 304-grade stainless steel (Opt. 316-grade stainless steel).
Power Requirements	110/220-240 V. 60/50 Hz. AC (%±10) 24 V. DC at standby ~4,5 W + 4,5 W. max. ~13 W + 13W.
Control System	All inputs are opto-coupler protected. Compatible with all access control systems that provide dry contact or grounding outputs. Optional RS232/RS485/TCP IP control module is available.
Flow Rate	Capacity of mechanism (manual) : Max. 97 + 97 pass/min. Nominal : ~20 + ~20 pass/min. Capacity of mechanism (motorized) : Max. 48 + 48 pass/min. Nominal : ~16 + ~16 pass/min. *Utilisation of different access control units can change the flow rate.
Emergency Mode	System allows free passage in emergency mode and in case of power failure.
Operation Temperature, Humidity, IP Rating	-20°C/+68°C (Ops. -50°C with optional heater unit) RH 95% non-condensig / IP 54 outdoor model (Opt. IP 56)
Minimum Passage Performance	≥ 15 million passages.
Operation	Manually operated bi-directional system (optional motorized) with dip switch selectable operational modes including controlled access on both sides, one side free (exit or entry) and other side controlled access and access restriction modes.
Optional Accessories and Applications	Remote control units, interface unit for PC, RS485, RS232 and LAN, counter, audio-messaging system, motor driven unit, automatic drop (retractable) arm, alarm sensor, heater positive unit, coin slot/intelligent coin system and coin box, card reader pole, pipe barrier (separator), floor mounting plate, customised top covers to accommodate various accessories.



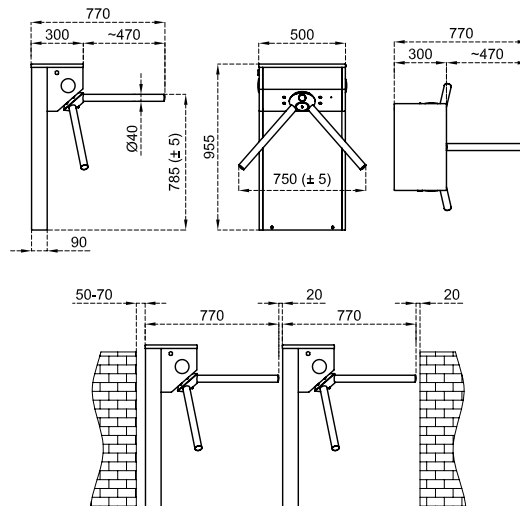
*Design and specifications are subject to change without notice. *All dimensions are in mm.



500 E

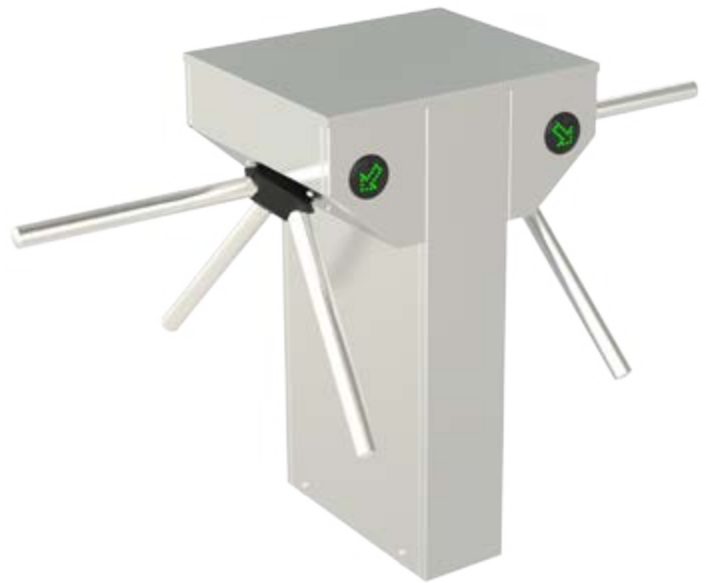


Body Features	304-grade (Opt. 316-grade) stainless steel with brushed (Opt. satin) surface.
Arms	Ø40 mm x 2 mm 304-grade stainless steel (Opt. 316-grade stainless steel).
Power Requirements	110/220-240 V. 60/50 Hz. AC (%±10) 24 V. DC at standby ~4,4 W. max. ~12 W.
Control System	All inputs are opto-coupler protected. Compatible with all access control systems that provide dry contact or grounding outputs. Optional RS232/RS485/TCP IP control module is available.
Flow Rate	Capacity of mechanism (manual) : Max. 97 pass/min. Nominal : ~20 pass/min. Capacity of mechanism (motorized) : Max. 48 pass/min. Nominal : ~16 pass/min. *Utilisation of different access control units can change the flow rate.
Emergency Mode	System allows free passage in emergency mode and in case of power failure.
Operation Temperature, Humidity, IP Rating	-20°C/+68°C (Ops. -50°C with heater unit), RH 95% non-condensing / IP 54 outdoor model (Opt. IP 56)
Minimum Passage Performance	≥ 15 million passages.
Operation	Manually operated bi-directional system (optional motorized) with dip switch selectable operational modes including controlled access on both sides, one side free (exit or entry) and other side controlled access and access restriction modes.
Optional Accessories and Applications	Remote control units, interface unit for PC, RS485, RS232 and LAN, counter, audio-messaging system, motor driven unit, automatic drop (retractable) arm, alarm sensor, heater positive unit, coin slot/intelligent coin system and coin box, card reader pole, pipe barrier (separator), floor mounting plate, top passage indicators, customised top covers to accommodate various accessories.

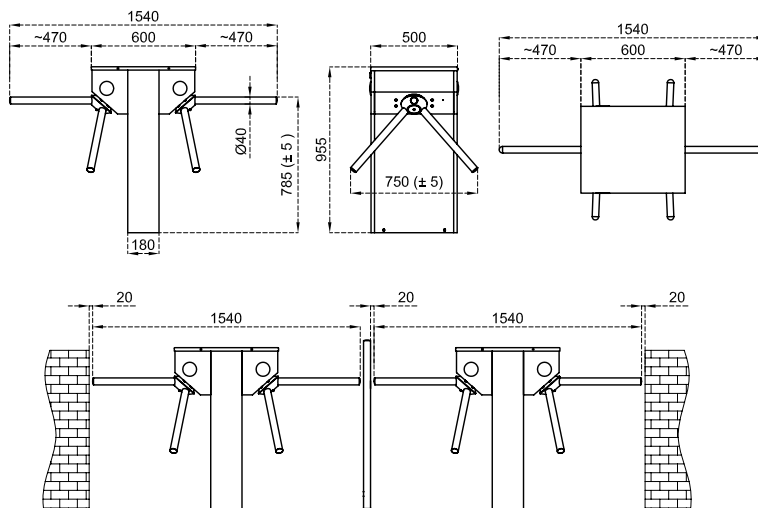


*Design and specifications are subject to change without notice. *All dimensions are in mm.

500 E D



Body Features	304-grade stainless steel with brushed (Opt. satin) surface.
Arms	Double-sided. Ø40 mm x 2 mm 304-grade stainless steel (Opt. 316-grade stainless steel)
Power Requirements	110/220-240 V. 60/50 Hz. AC (%±10) 24V. DC at standby ~4,4 W + ~4,4 W. max. ~12 W + ~12 W.
Control System	All inputs are opto-coupler protected. Compatible with all access control systems that provide dry contact or grounding outputs. Optional RS232/RS485/TCP IP control module is available.
Flow Rate	Capacity of mechanism (manual) : Max. 97 + 97 pass/min. Nominal : ~20 + ~20 pass/min. Capacity of mechanism (motorized) : Max. 48 + 48 pass/min. Nominal : ~16 + ~16 pass/min. *Utilisation of different access control units can change the flow rate.
Emergency Mode	System allows free passage in emergency mode and in case of power failure.
Operation Temperature, Humidity, IP Rating	-20°C to +68°C (Opt. -50°C with heater unit), RH 95% non-condensing / IP 54 outdoor model (Opt. IP 56)
Minimum Passage Performance	≥ 15 million passages.
Operation	Manually operated bi-directional system (optional motorized) with dip switch selectable operational modes including controlled access on both sides, one side free (exit or entry) and other side controlled access and access restriction modes.
Optional Accessories and Applications	Remote control units, interface unit for PC, RS485, RS232 and LAN, counter, audio-messaging system, motor driven unit, automatic drop (retractable) arm, alarm sensor, heater positive unit, coin slot/intelligent coin system and coin box, card reader pole, pipe barrier (separator), floor mounting plate, top passage indicators, customised top covers to accommodate various accessories.



*Design and specifications are subject to change without notice. *All dimensions are in mm.

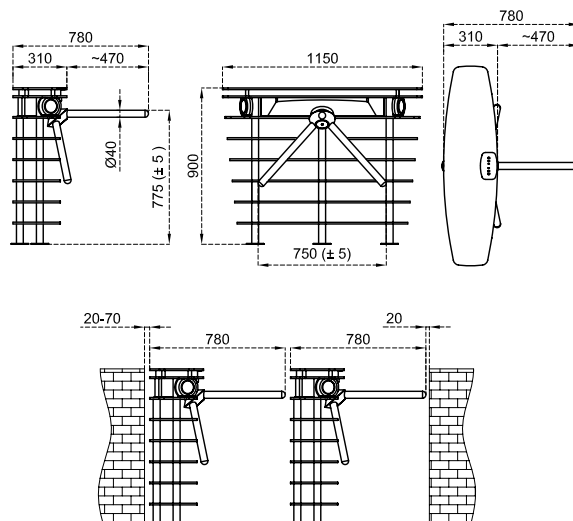
Indoor Running Track



FKR 777



Body Features	The natural granite (Star Galaxy Black) stone (20 mm thickness) on top is a standard feature for a decorative and aesthetical appearance. Lower body is made of Art-Line design semi-transparent layered dark grey acrylic panels.
Arms	Three Ø40 mm transparent acrylic arms (Opt. 304 or 316-grade stainless steel).
Power Requirements	110/220-240 V. 60/50 Hz. AC (%±10) 24 V. DC at standby ~4,5 W. max. ~13 W.
Control System	All inputs are opto-coupler protected. Compatible with all access control systems that provide dry contact or grounding outputs. Optional RS232/RS485/TCP IP control module is available.
Flow Rate	Capacity of mechanism (manual) : Max. 97 pass/min. Nominal : ~20 pass/min. Capacity of mechanism (motorized) : Max. 48 pass/min. Nominal : ~16 pass/min. *Utilisation of different access control units can change the flow rate.
Emergency Mode	System allows free passage in emergency mode and in case of power failure.
Operation Temperature, Humidity, IP Rating	-20°C to +68°C / RH 95% non-condensing / IP 44 indoor model.
Minimum Passage Performance	≥ 15 million passages.
Operation	Manually operated bi-directional system (optional motorized) with dip switch selectable operational modes including controlled access on both sides, one side free (exit or entry) and other side controlled access and access restriction modes.
Optional Accessories and Applications	Remote control units, interface unit for PC, RS485, RS232 and LAN, counter, audio-messaging system, motor driven unit, alarm sensor, heater positive unit, coin slot/intelligent coin system and coin box, card reader pole, pipe barrier (separator), floor mounting plate, choice of different top lid materials.



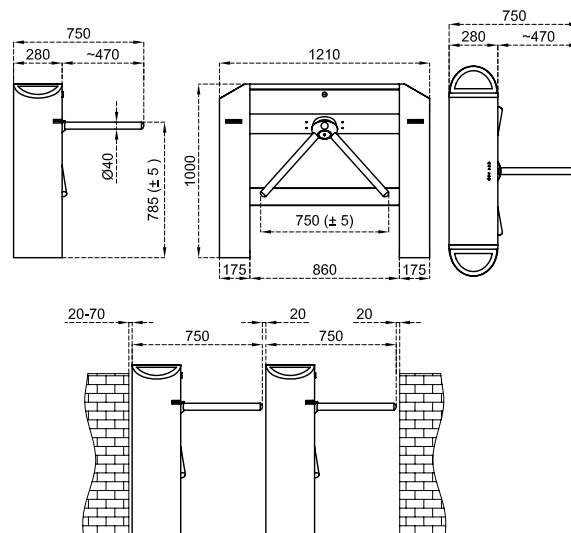
*Design and specifications are subject to change without notice. *All dimensions are in mm.



702 R N1



Body Features	304-grade (Opt. 316-grade) stainless steel with brushed (Opt. satin) surface.
Arms	Automatic drop (retractable) arm $\varnothing 40$ mm x 1,2 mm 304-grade stainless steel (Opt. 316-grade stainless steel).
Power Requirements	110/220-240 V. 60/50 Hz. AC (% ± 10) 24 V. DC at standby ~ 11 W. max. ~ 60 W.
Control System	All inputs are opto-coupler protected. Compatible with all access control systems that provide dry contact or grounding outputs. Optional RS232/RS485/TCP IP control module is available.
Flow Rate	Capacity of mechanism (manual) : Max. 97 pass/min. Nominal : ~ 20 pass/min. Capacity of mechanism (motorized) : Max. 48 pass/min. Nominal : ~ 16 pass/min. *Utilisation of different access control units can change the flow rate.
Emergency Mode	Automatic drop arm retracts and system allows free passage in emergency mode and in case of power failure.
Operation Temperature, Humidity, IP Rating	-20°C to +68°C (-50°C with optional heater unit), RH 95% non-condensing / IP 54 outdoor model (Opt. IP 56).
Minimum Passage Performance	≥ 15 million passages.
Operation	Motorized (Opt. Manual System) bi-directional passage system with dip switch selectable operational modes including controlled access on both sides, one side free (exit or entry) and other side controlled access and access restriction modes; the system unlocks upon receiving input and motor is activated by a gentle push on the arm to allow passage.
Optional Accessories and Applications	Remote control units, interface unit for PC, RS485, RS232 and LAN, counter, audio-messaging system, alarm sensor, heater positive unit, coin slot/intelligent coin system and coin box, card reader pole, pipe barrier (separator), floor mounting plate, manual mechanics, customised top covers to accommodate various accessories.

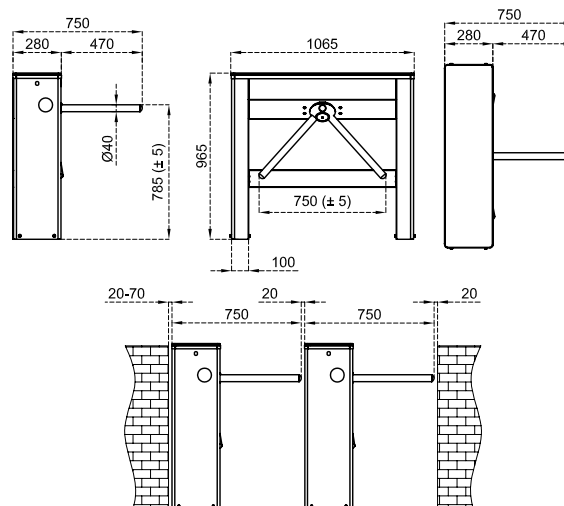


*Design and specifications are subject to change without notice. *All dimensions are in mm.

700 R



Body Features	304-grade (Opt. 316-grade) stainless steel with brushed (Opt. satin) surface with aesthetic round corners.
Arms	Ø40 mm x 2 mm 304-grade stainless steel (Opt. 316-grade stainless steel).
Power Requirements	110/220-240 V. 60/50 Hz. AC (%±10) 24V. DC at standby ~4,4 W. max. ~12 W.
Control System	All inputs are opto-coupler protected. Compatible with all access control systems that provide dry contact or grounding outputs. Optional RS232/RS485/TCP IP control module is available.
Flow Rate	Capacity of mechanism (manual) : Max. 97 + 97 pass/min. Nominal : ~20 + ~20 pass/min. Capacity of mechanism (motorized) : Max. 48 + 48 pass/min. Nominal : ~16 + ~16 pass/min. *Utilisation of different access control units can change the flow rate.
Emergency Mode	System allows free passage in emergency mode and in case of power failure.
Operation Temperature, Humidity, IP Rating	-20°C to +68°C (Opt. -50°C with heater unit), RH 95% non-condensing / IP 54 outdoor model (Opt. IP 56)
Minimum Passage Performance	≥ 15 million passages.
Operation	Manually operated bi-directional system (optional motorized) with dip switch selectable operational modes including controlled access on both sides, one side free (exit or entry) and other side controlled access and access restriction modes.
Optional Accessories and Applications	Remote control units, interface unit for PC, RS485, RS232 and LAN, counter, audio-messaging system, motor driven unit, automatic drop (retractable) arm, alarm sensor, heater positive unit, coin slot/intelligent coin system and coin box, card reader pole, pipe barrier (separator), floor mounting plate, top passage indicators, customised top covers to accommodate various accessories.



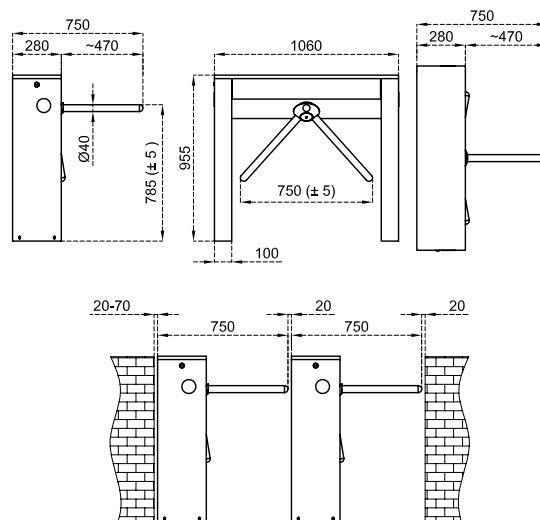
*Design and specifications are subject to change without notice. *All dimensions are in mm.



700 E N1



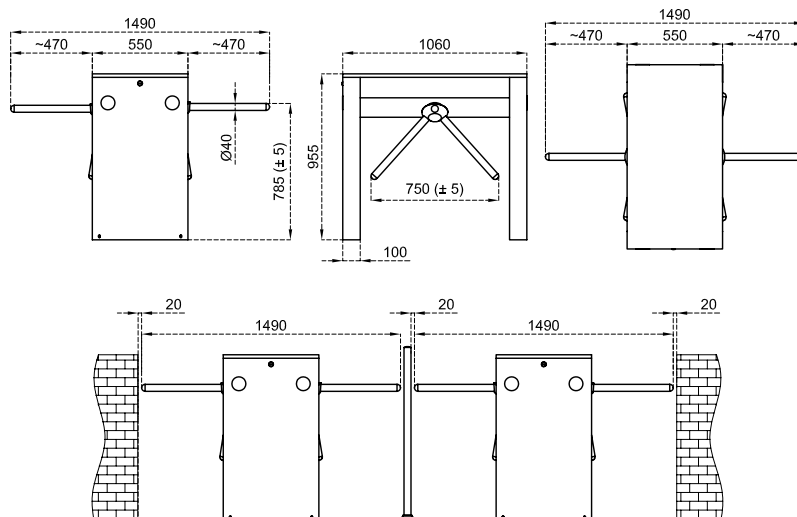
Body Features	304-grade (Opt. 316-grade) stainless steel with brushed (Opt. satin) surface.
Arms	Ø40 mm x 2 mm 304-grade stainless steel (Opt. 316-grade stainless steel).
Power Requirements	110/220-240 V. 60/50 Hz. AC (%±10) 24V. DC at standby ~4,4 W. max. ~12 W.
Control System	All inputs are opto-coupler protected. Compatible with all access control systems that provide dry contact or grounding outputs. Optional RS232/RS485/TCP IP control module is available.
Flow Rate	Capacity of mechanism (manual) : Max. 97 pass/min. Nominal : ~20 pass/min. Capacity of mechanism (motorized) : Max. 48 pass/min. Nominal : ~16 pass/min. *Utilisation of different access control units can change the flow rate.
Emergency Mode	System allows free passage in emergency mode and in case of power failure.
Operation Temperature, Humidity, IP Rating	-20°C to +68°C (Opt. -50°C with heater unit), RH 95% non-condensing / IP 54 outdoor model (Opt. IP 56)
Minimum Passage Performance	≥ 15 million passages.
Operation	Manually operated bi-directional system (optional motorized) with dip switch selectable operational modes including controlled access on both sides, one side free (exit or entry) and other side controlled access and access restriction modes.
Optional Accessories and Applications	Remote control units, interface unit for PC, RS485, RS232 and LAN, counter, audio-messaging system, motor driven unit, automatic drop (retractable) arm, alarm sensor, heater positive unit, coin slot/intelligent coin system and coin box, card reader pole, pipe barrier (separator), floor mounting plate, top passage indicators, customised top covers to accommodate various accessories.



700 E N1 D



Body Features	304-grade (Opt. 316-grade) stainless steel with brushed (Opt. satin) surface.
Arms	Double-Sided. Ø40 mm x 2 mm 304-grade stainless steel (Opt. 316-grade stainless steel).
Power Requirements	110/220-240 V. 60/50 Hz. AC (%±10) 24 V. DC at standby ~4,4 W + ~4,4 W. max. ~12 W + ~12 W.
Control System	All inputs are opto-coupler protected. Compatible with all access control systems that provide dry contact or grounding outputs. Optional RS232/RS485/TCP IP control module is available.
Flow Rate	Capacity of mechanism (manual) : Max. 97 + 97 pass/min. Nominal : ~20 + ~20 pass/min. Capacity of mechanism (motorized) : Max. 48 + 48 pass/min. Nominal : ~16 + ~16 pass/min. *Utilisation of different access control units can change the flow rate.
Emergency Mode	System allows free passage in emergency mode and in case of power failure.
Operation Temperature, Humidity, IP Rating	-20° C to +68° C (Opt. -50° C with heater unit), RH 95% non-condensing / IP 54 outdoor model (Opt. IP 56).
Minimum Passage Performance	≥ 15 million passages.
Operation	Manually operated bi-directional system (optional motorized) with dip switch selectable operational modes including controlled access on both sides, one side free (exit or entry) and other side controlled access and access restriction modes.
Optional Accessories and Applications	Remote control units, interface unit for PC, RS485, RS232 and LAN, counter, audio-messaging system, motor driven unit, automatic drop (retractable) arm, alarm sensor, heater positive unit, coin slot/intelligent coin system and coin box, card reader pole, pipe barrier (separator), floor mounting plate, top passage indicators, customised top covers to accommodate various accessories.



*Design and specifications are subject to change without notice. *All dimensions are in mm.





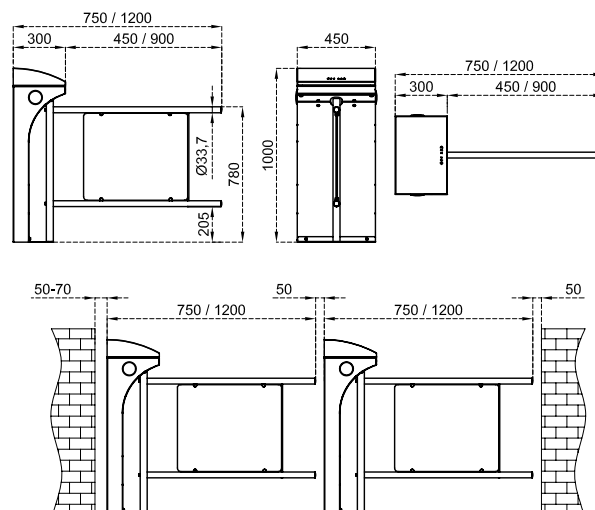
Waist Height Turnstiles
Turnstiles for Reduced Mobility



605



Body Features	304-grade (Opt. 316-grade) stainless steel brushed (Opt. satin) surface.
Wing Features	Available in 450 or 900 mm standard lengths. Ø33,7 mm x 1,5 mm 304-grade stainless steel wing frame with acrylic panel.
Power Requirements	110/220-240 V. 60/50 Hz. AC (%±10) 24 V. DC at standby ~11 W. max. ~65 W.
Control System	All inputs are opto-coupler protected. Compatible with all access control systems that provide dry contact or grounding outputs. Optional RS232/RS485/TCP IP control module is available.
Operation	Electronically controlled DC motor driven bi-directional system.
Flow Rate	Wing opening / closing time ~1,5 - 2,5 sec.
Emergency Mode	System allows free passage in emergency mode and in case of power failure.
Minimum Passage Performance	≥ 15 million passages.
Operation Temperature, Humidity, IP Rating	-20°C to +68°C (Opt. -50°C with heater unit), RH 95% non-condensing / IP 54 outdoor model (Opt. IP 56).
Optional Accessories and Applications	Remote control units, interface unit for PC, RS485, RS232 and LAN, counter, audio-messaging system, alarm sensor, heater positive unit, coin slot/intelligent coin system and coin box, card reader pole, pipe barrier (separator), floor mounting plate.

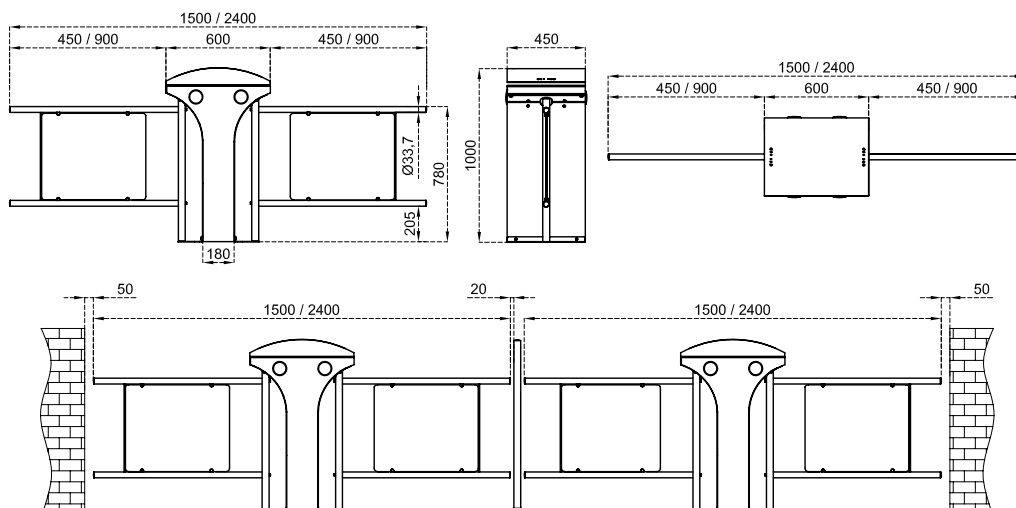


**Design and specifications are subject to change without notice. *All dimensions are in mm.*

605 D



Body Features	304-grade (Opt. 316-grade) stainless steel brushed (Opt. satin) surface.
Wing Features	Double-sided. Available in 450 or 900 mm standard lengths. Ø33,7 mm x 1,5 mm 304-grade stainless steel wing frame with acrylic panel.
Power Requirements	110/220-240 V. 60/50 Hz. AC (%±10) 24 V. DC at standby ~11 + ~11 W. max. ~65 + ~65W.
Control System	All inputs are opto-coupler protected. Compatible with all access control systems that provide dry contact or grounding outputs. Optional RS232/RS485/TCP IP control module is available.
Operation	Electronically controlled DC motor driven bi-directional system.
Flow Rate	Wing opening / closing time ~1,5 - 2,5 sec.
Emergency Mode	System allows free passage in emergency mode and in case of power failure.
Minimum Passage Performance	≥ 15 million passages.
Operation Temperature, Humidity, IP Rating	-20°C to +68°C (Opt. -50°C with heater unit), RH 95% non-condensing / IP 54 outdoor model (Opt. IP 56).
Optional Accessories and Applications	Remote control units, interface unit for PC, RS485, RS232 and LAN, counter, audio-messaging system, alarm sensor, heater positive unit, coin slot/intelligent coin system and coin box, card reader pole, pipe barrier (separator), floor mounting plate.



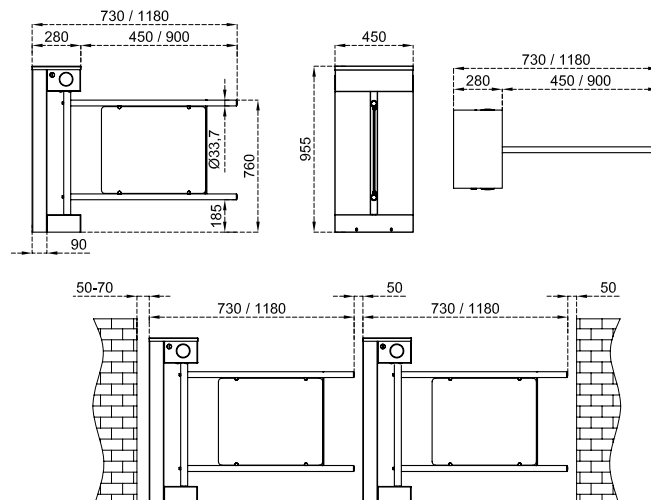
*Design and specifications are subject to change without notice. *All dimensions are in mm.



705 E N1



Body Features	304-grade (Opt. 316-grade) stainless steel brushed (Opt. satin) surface.
Wing Features	Available in 450 or 900 mm standard lengths. Ø33,7 mm x 1,5 mm 304-grade stainless steel wing frame with acrylic panel.
Power Requirements	110/220-240 V. 60/50 Hz. AC (%±10) 24 V. DC at standby ~11 W. max. ~65 W.
Control System	All inputs are opto-coupler protected. Compatible with all access control systems that provide dry contact or grounding outputs. Optional RS232/RS485/TCP IP control module is available.
Operation	Electronically controlled DC motor driven bi-directional system.
Flow Rate	Wing opening / closing time ~1,5 - 2,5 sec.
Emergency Mode	System allows free passage in emergency mode and in case of power failure.
Minimum Passage Performance	≥ 15 million passages.
Operation Temperature, Humidity, IP Rating	-20°C to +68°C (Opt. -50°C with heater unit), RH 95% non-condensing / IP 54 outdoor model (Opt. IP 56)
Optional Accessories and Applications	Remote control units, interface unit for PC, RS485, RS232 and LAN, counter, audio-messaging system, alarm sensor, heater positive unit, coin slot/intelligent coin system and coin box, card reader pole, pipe barrier (separator), top passage indicators, floor mounting plate.

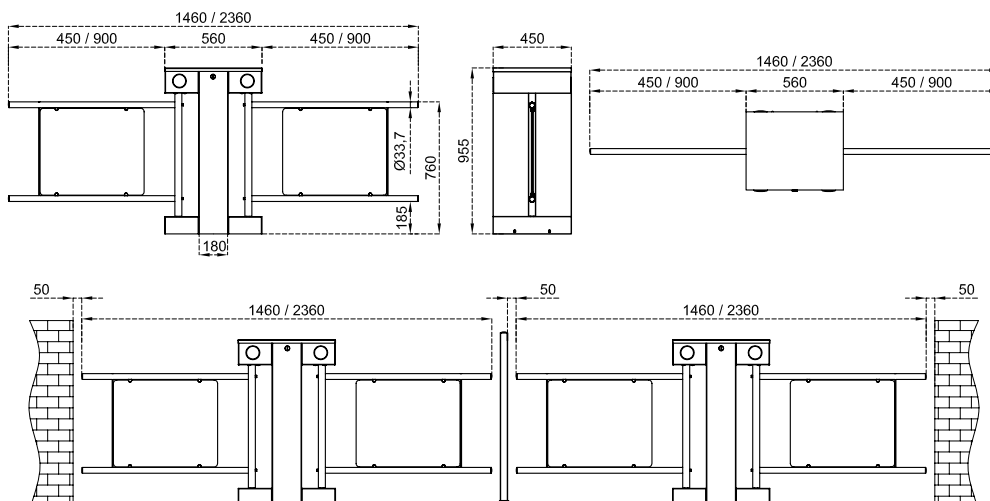


**Design and specifications are subject to change without notice. *All dimensions are in mm.*

705 E N1 D



Body Features	304-grade (Opt. 316-grade) stainless steel brushed (Opt. satin) surface.
Wing Features	Double-sided. Available in 450 or 900 mm standard lengths. Ø33,7 mm x 1,5 mm 304-grade stainless steel wing frame with acrylic panel.
Power Requirements	110/220-240 V. 60/50 Hz. AC (%±10) 24 V. DC at standby ~11 + ~11 W. max. ~65 + ~65 W.
Control System	All inputs are opto-coupler protected. Compatible with all access control systems that provide dry contact or grounding outputs. Optional RS232/RS485/TCP IP control module is available.
Operation	Electronically controlled DC motor driven bi-directional system.
Flow Rate	Wing opening / closing time ~1,5 - 2,5 sec.
Emergency Mode	System allows free passage in emergency mode and in case of power failure.
Minimum Passage Performance	≥ 15 million passages.
Operation Temperature, Humidity, IP Rating	-20°C to +68°C (Opt. -50°C with heater unit), RH 95% non-condensing / IP 54 outdoor model (Opt. IP 56)
Optional Accessories and Applications	Remote control units, interface unit for PC, RS485, RS232 and LAN, counter, audio-messaging system, alarm sensor, heater positive unit, coin slot/intelligent coin system and coin box, card reader pole, pipe barrier (separator), top passage indicators, floor mounting plate.



*Design and specifications are subject to change without notice. *All dimensions are in mm.

METROPORI
BUSINESS





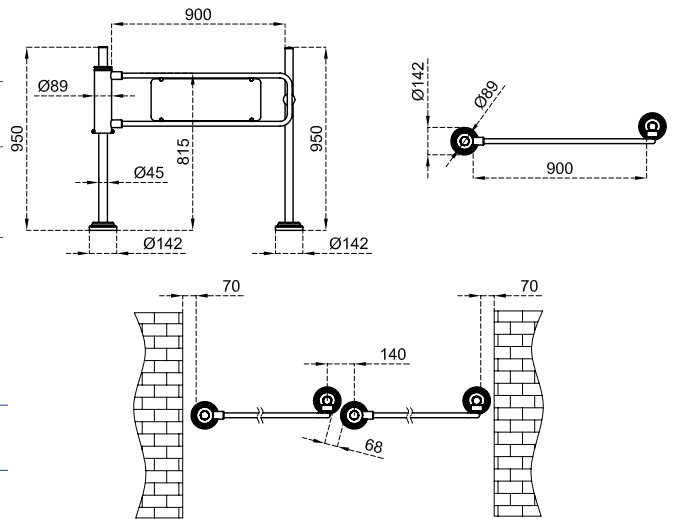
Waist Height Turnstiles
Free Passage Turnstiles



SWG 101



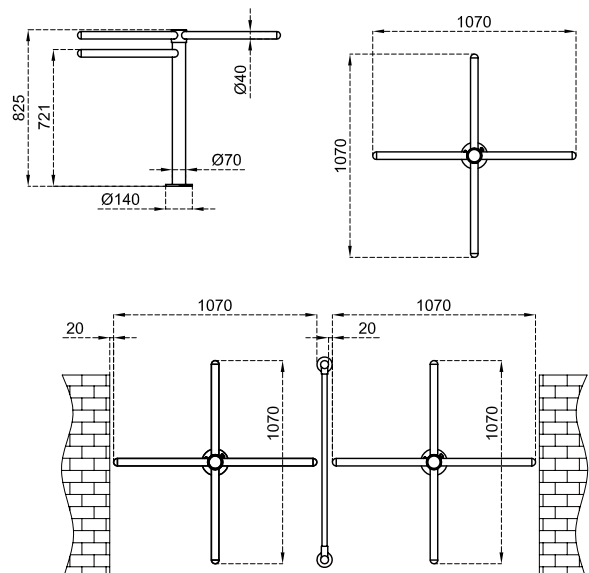
Body Features	Ø89 x 3 mm 304-grade (Opt. 316-grade) stainless steel.
Wing Features	Ø27 x 2 mm wing flap specially bent 304-grade stainless steel.
Power Requirements	None (standard version) For electromagnetic lock version: 24 V DC. (250 mA).
System Features	Manually operated unidirectional, push to open (90° - clockwise or counter clockwise), spring loaded return system. For electromagnetic lock version in case of power failure the electromagnetic lock releases the panel for free passage.
Minimum Passage Performance	≥ 15 million passages.
Optional Accessories and Applications	Electromagnetic Lock with 35 kgf resistance, manual lock, key lock pole, separator.



MRKT 404



Body Features	Ø70 x 2 mm 304-grade (Opt. 316-grade) stainless steel.
Arms	Ø40 x 2 mm 304 grade stainless steel (Opt. 316 grade stainless steel) rotating arms. (Ø42 x 2,5 mm steel fixed arm)
Power Requirements	None.
System Features	Manually operated unidirectional, push to rotate passage.
Minimum Passage Performance	≥ 15 million passages.





Waist Height Turnstiles - **Speed Gates**

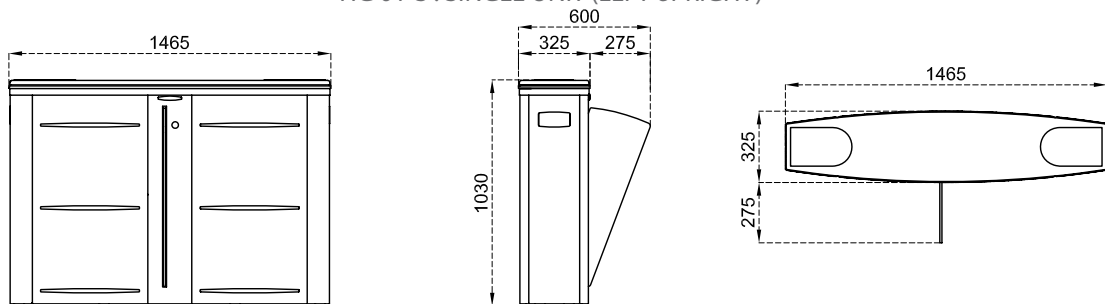


HG 01

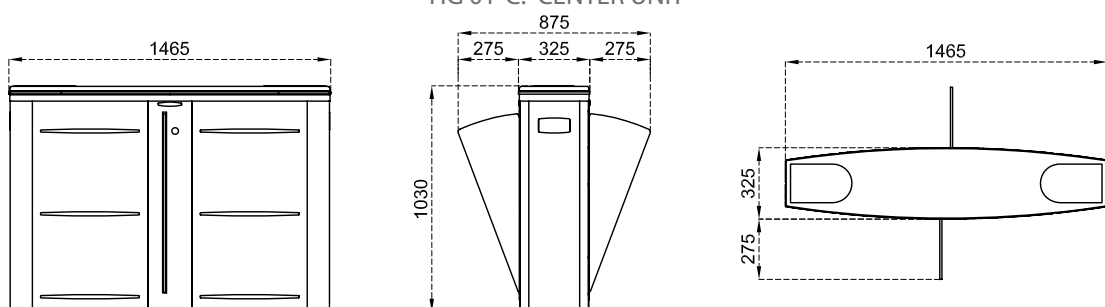


Body Features	The body is made of 304 grade (Opt. 316-grade) satin finished stainless steel. Natural granite (Star Galaxy Black Pattern) stone on top is standard feature for a decorative and aesthetical appearance. (Opt. materials and patterns available)
Wing Features	RGB LED illuminated, 10 mm. thick impact resistant tempered glass (Opt. polycarbon).
Top Lid	20 mm natural granite (Star Galaxy Black).
Power Requirements	110/220-240 V. 60/50Hz. AC (%±10) 24V. DC Single Unit : At standby ~10W during operation ~39W Center Unit : At standby ~10W + ~10W during operation ~39W + ~39W
Control System	All inputs are opto-coupler protected. Compatible with all access control systems that provide dry contact or grounding outputs. Optional RS232/RS485/TCP IP control module is available.
Flow Rate	Wing opening speed/time: 0,5 sec. Wing closing speed/time: 0,5 sec. Nominal: ~30 - 60 passages/minute (recommended reference figure). *Utilisation of different access control units can change the flow rate.
System Features & Operation	Electronically controlled rapid wing movement for quick and smooth bi-directional passages. Internal dip switch selectable free passage by photocell detection, restricted access, controlled access on both or single direction modes are built in features.
Emergency Mode	System allows free passage in emergency mode and in case of power failure (powered by internal back-up battery).
Operation Temperature, Humidity, IP Rating	-20°C to + 68°C / RH 95% non-condensing / IP 44 indoor model.
Minimum Passage Performance	≥ 15 million passages.
Optional Accessories and Applications	Tempered glass side (lateral) panels, Remote control unit, interface unit for PC, RS485, RS232 and LAN, counter, audio-messaging system, alarm sensor, floor mounting plate, coin slot/intelligent coin system and coin box, separator, card reader pole.
Note	A passage lane consists of min. 2 pieces of single units facing each other.

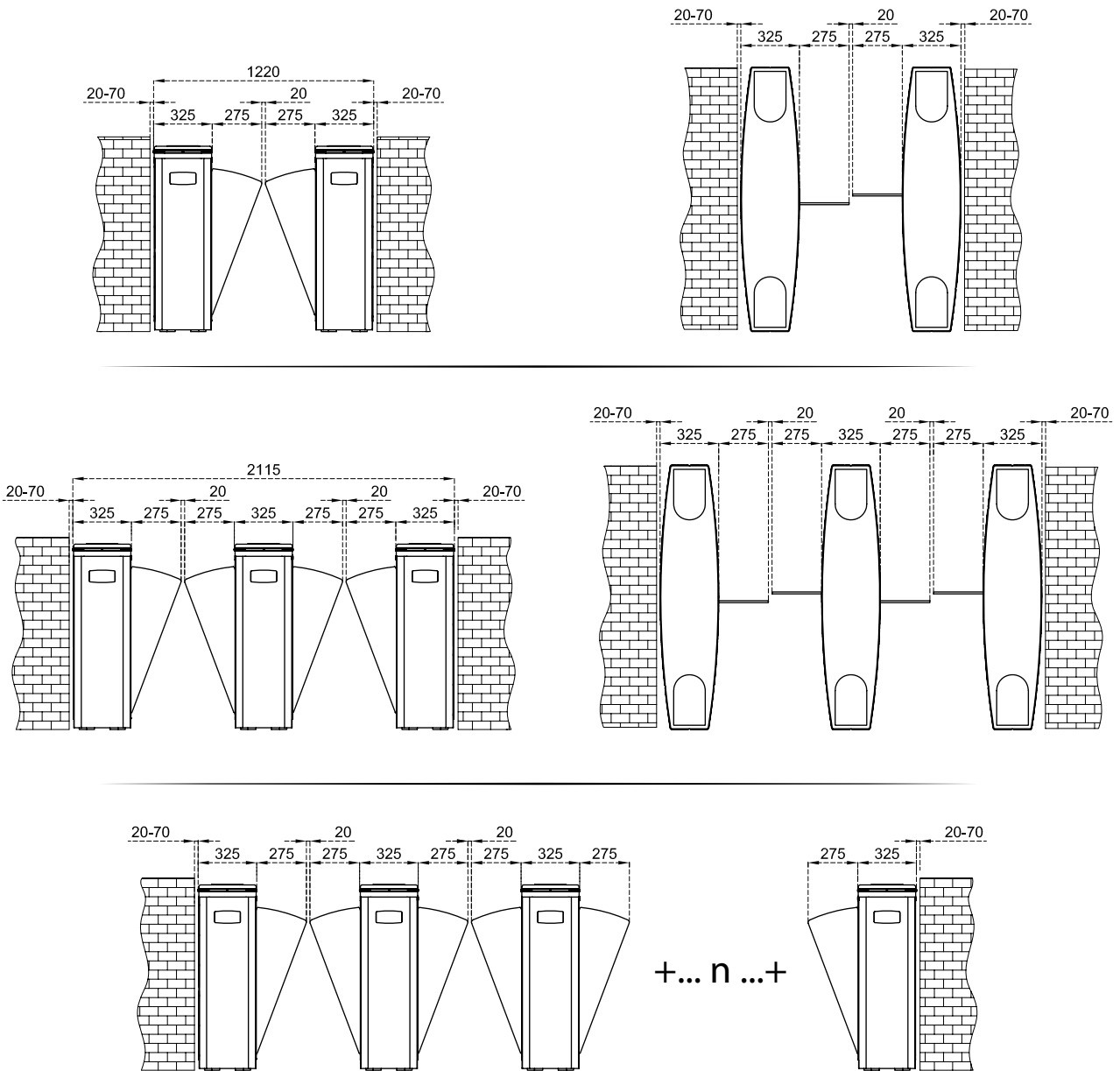
HG 01-S : SINGLE UNIT (LEFT or RIGHT)



HG 01-C: CENTER UNIT



*Design and specifications are subject to change without notice. *All dimensions are in mm.



*Design and specifications are subject to change without notice. *All dimensions are in mm.

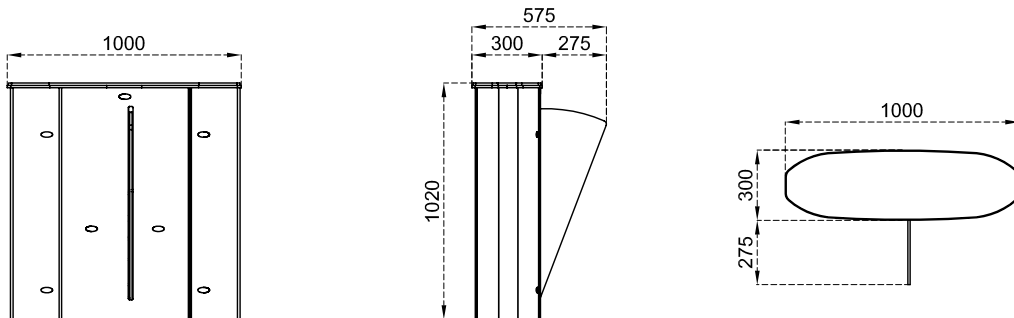


HG 02 GL

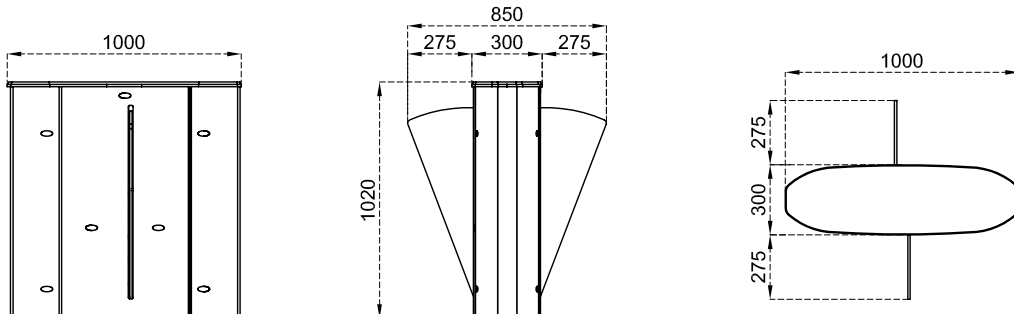


Body Features	The body is made of 304-grade (Opt. 316-grade) satin finished stainless steel. Tempered glass (Opt. natural granite stone with Star Galaxy Black pattern) on top is standard feature for a decorative and aesthetic appearance (optionally other materials and patterns available).
Wing Features	RGB LED illuminated 10mm impact resistant tempered glass (Opt. polycarbon) wings.
Top Lid	10 mm tempered glass top lid (opt. other materials). Sliding asteroid indicators on top lid is optionally available.
Power Requirements	110/220-240 V. 60/50Hz. AC (%±10) 24V. DC Single Unit : At standby ~10W during operation ~39W Center Unit : At standby ~10W + ~10W during operation ~39W + ~39W
Control System	All inputs are opto-coupler protected. Compatible with all access control systems that provide dry contact or grounding outputs. Optional RS232/RS485/TCP IP control module is available.
Flow Rate	Wing opening speed/time: 0,5 sec. wing closing speed/time: 0,5 sec. Nominal: ~30 - 60 passages/minute (recommended reference figure). *Utilisation of different access control units can change the flow rate.
System Features & Operation	Electronically controlled rapid wing movement for quick and smooth bi-directional passages. Internal dip switch selectable free passage by photocell detection, restricted access, controlled access on both or single direction modes are built in features.
Emergency Mode	System allows free passage in emergency mode and in case of power failure (powered by internal back-up battery).
Operation Temperature, Humidity, IP Rating	-20°C to + 68°C / RH 95% non-condensing / IP 44 indoor model.
Minimum Passage Performance	≥ 15 million passages.
Optional Accessories and Applications	Tempered glass side (lateral) panels, remote control unit, interface unit for PC, RS485, RS232 and LAN, counter, audio-messaging system, alarm sensor, floor mounting plate, coin slot/intelligent coin system and coin box, separator, card reader pole, sliding asteroid indicators on top lid.
Note	A passage lane consists of min. 2 pieces of single units facing each other.

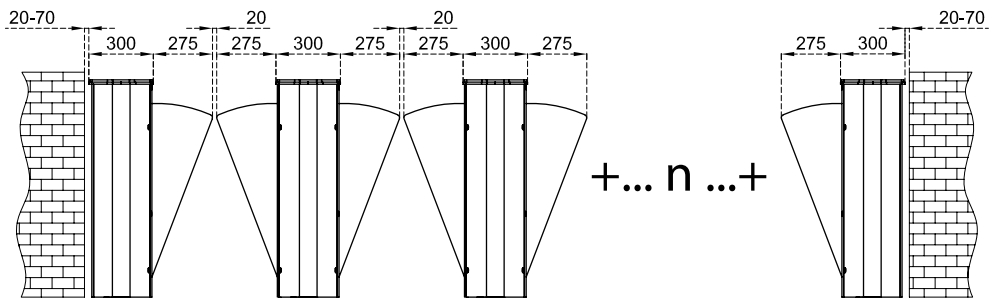
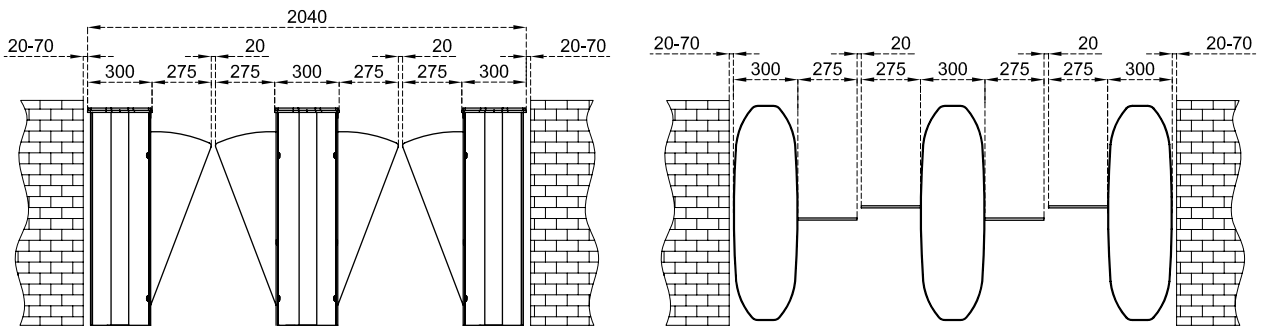
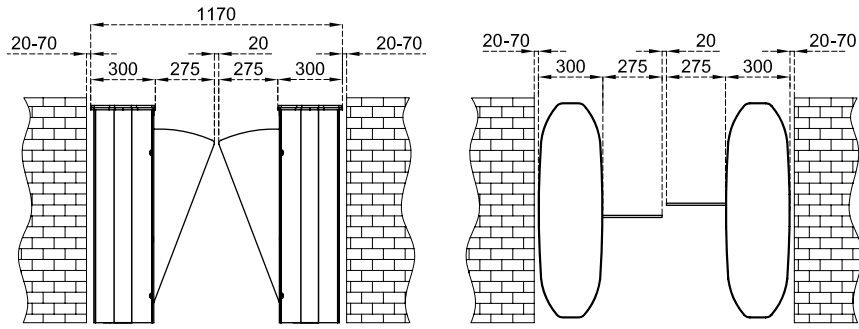
HG 02 GL -S : SINGLE UNIT (LEFT or RIGHT)



HG 02 GL-C: CENTER UNIT



*Design and specifications are subject to change without notice. *All dimensions are in mm.



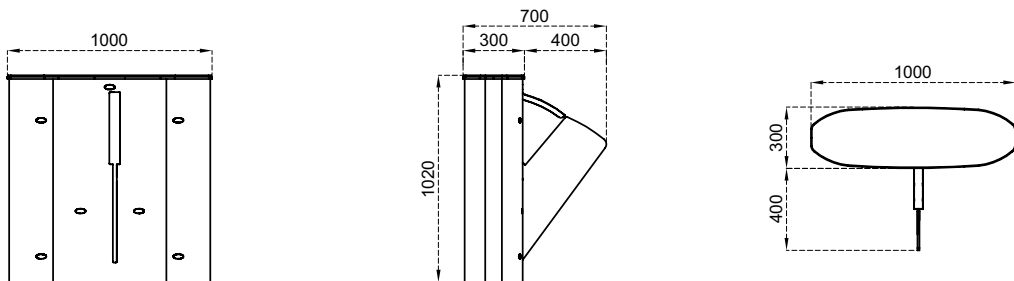


HG 02 GL DP

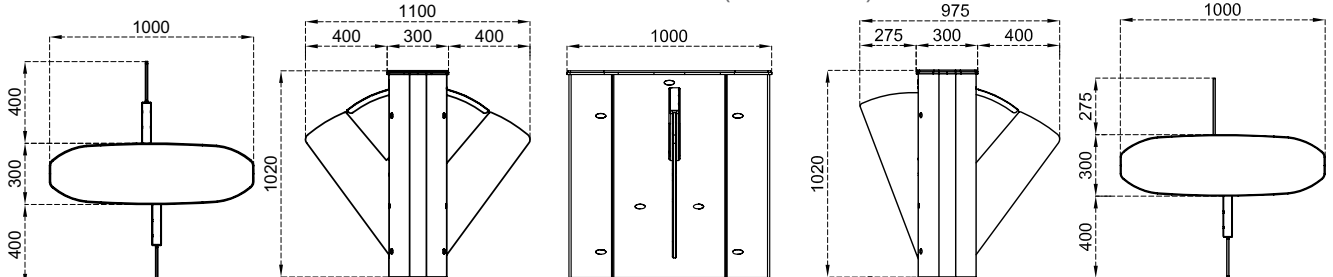


Body Features	304-grade (Opt. 316-grade) satin finished stainless steel. 10 mm tempered glass (Opt. natural granite stone with Star Galaxy Black pattern) on top is standard feature for a decorative and aesthetic appearance (optionally other materials and patterns available).
Wing Features	RGB LED illuminated 10mm impact resistant tempered glass, coloured acrylic wings.
Top Lid	10 mm tempered glass top lid (opt. other materials). Sliding asteroid indicators on top lid is optionally available.
Power Requirements	110/220-240 V. 60/50Hz. AC (%±10) 24V. DC Single Unit : At standby ~10W during operation ~39W Center Unit : At standby ~10W + ~10W during operation ~39W + ~39W
Control System	All inputs are opto-coupler protected. Compatible with all access control systems that provide dry contact or grounding outputs. Optional RS232/RS485/TCP IP control module is available.
Flow Rate	Wing opening speed/time: 0,5 sec. wing closing speed/time: 0,5 sec. Nominal: ~30 - 60 passages/minute (recommended reference figure). *Utilisation of different access control units can change the flow rate.
System Features & Operation	Electronically controlled rapid wing movement for quick and smooth bi-directional passages. Internal dip switch selectable free passage by photocell detection, restricted access, controlled access on both or single direction modes are built in features.
Emergency Mode	System allows free passage in emergency mode and in case of power failure (powered by internal back-up battery).
Operation Temperature, Humidity, IP Rating	-20°C to + 68°C / RH 95% non-condensing / IP 44 indoor model.
Minimum Passage Performance	≥ 15 million passages.
Optional Accessories and Applications	Remote control unit, interface unit for PC, RS485, RS232 and LAN, counter, audio-messaging system, alarm sensor, floor mounting plate, coin slot/intelligent coin system and coin box, separator, card reader pole, sliding asteroid indicators on top lid.
Note	A passage lane consists of min. 2 pieces of single units facing each other.

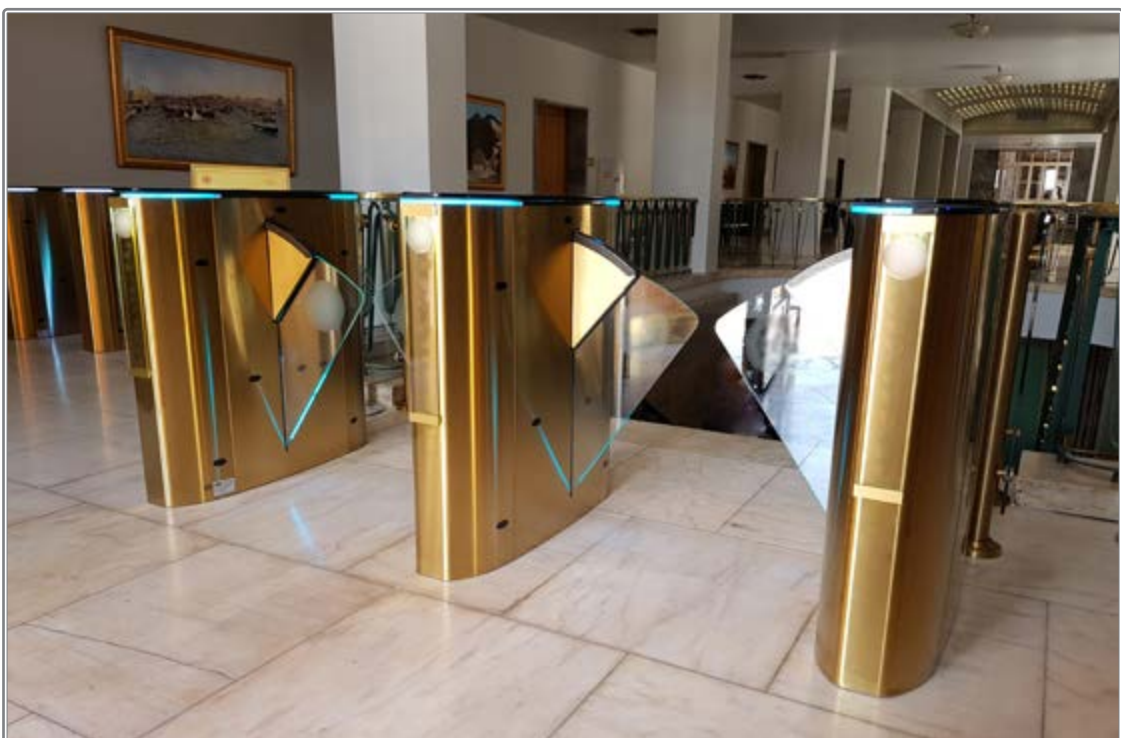
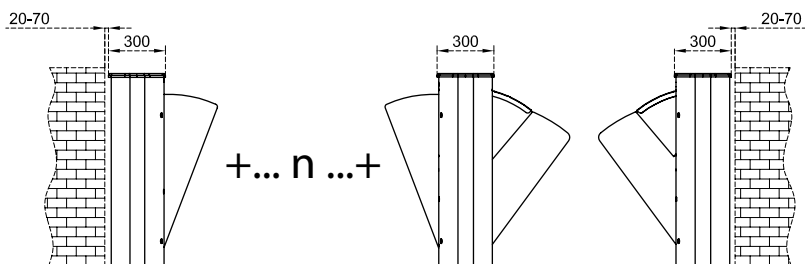
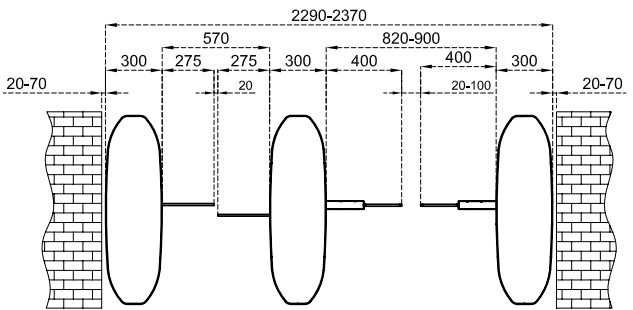
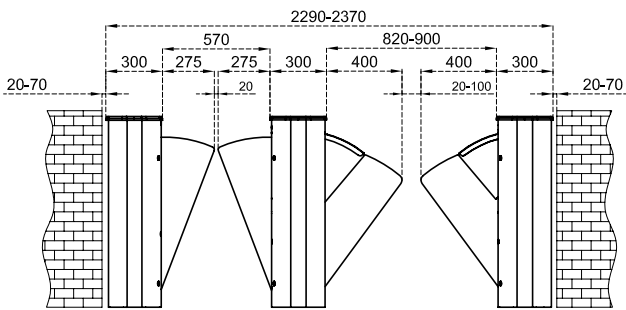
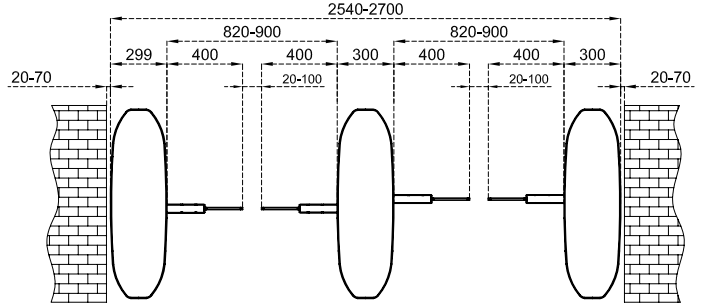
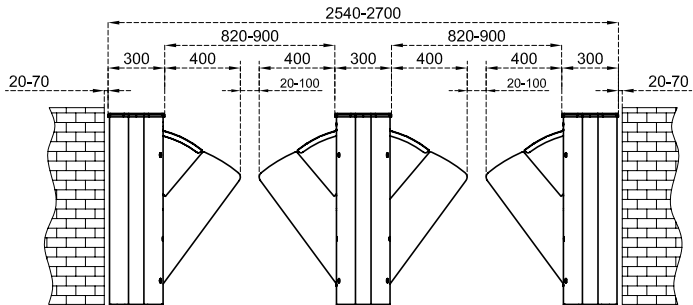
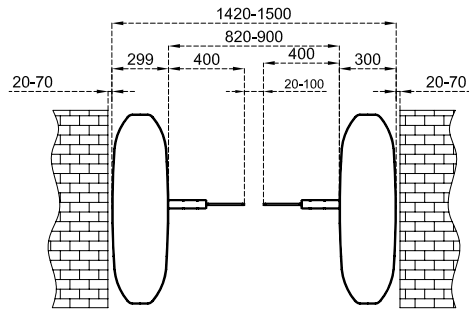
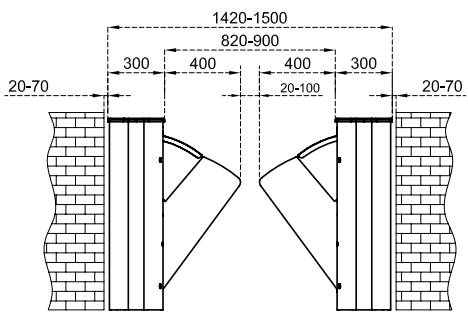
HG 02 GL -S : SINGLE UNIT (LEFT or RIGHT)



HG 02 GL DP CENTER UNIT (and COMBO)



*Design and specifications are subject to change without notice. *All dimensions are in mm.





BAŞISKELE
Çağrı Merkezi

Başıskele'nin
Emrindeyiz

444 41 10

www.basiskele.net.tr



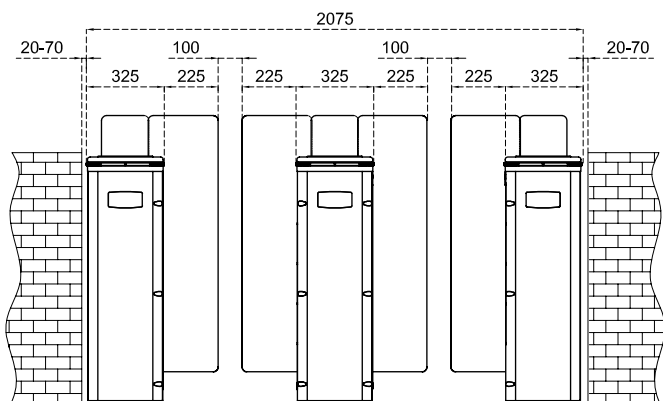
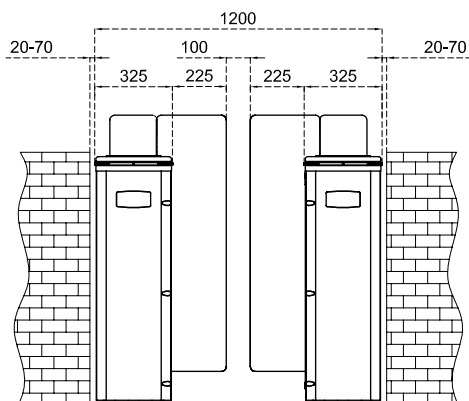
YEDI YILDIZLI KENT
Başıskele



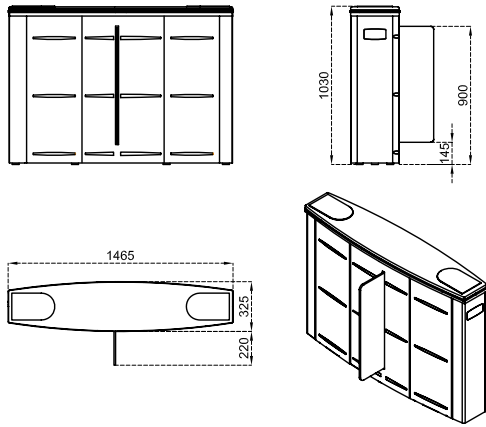
SG 55 SLIDING GATE



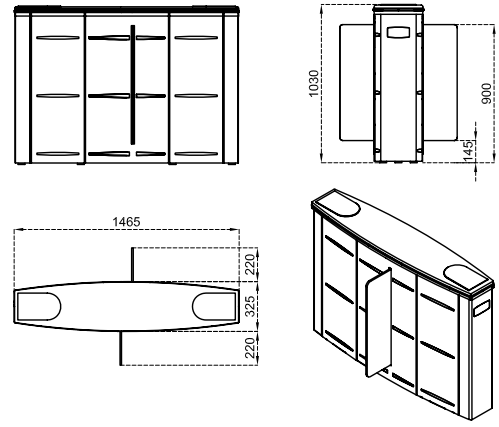
Body Features	The body is made of 304-grade (Opt. 316-grade) satin finished stainless steel. Natural granite (Star Galaxy Black Pattern) stone on top is standard feature for a decorative and aesthetical appearance. (Opt. materials and patterns available).
Wing Features	RGB LED illuminated 12mm impact resistant tempered glass (Opt. polycarbon) wings. Glass wing height options: 900 mm - 1200 mm - 2000 mm in standard.
Top Lid	20 mm natural granite (Star Galaxy Black).
Power Requirements	110/220-240 V. 60/50Hz. AC (%±10) 24V. DC Single Unit : At standby ~10W during operation ~39W Center Unit : At standby ~10W + ~10W during operation ~39W + ~39W
Control System	All inputs are opto-coupler protected. Compatible with all access control systems that provide dry contact or grounding outputs. Optional RS232/RS485/TCP IP control module is available.
Flow Rate	Wing opening speed/time: 0,5 sec. wing closing speed/time: 0,5 sec. Nominal: ~30 - 60 passages/minute (recommended reference figure). *Utilisation of different access control units can change the flow rate.
System Features & Operation	Electronically controlled rapid wing movement for quick and smooth bi-directional passages. Internal dip switch selectable free passage by photocell detection, restricted access, controlled access on both or single direction modes are built in features.
Emergency Mode	System allows free passage in emergency mode and in case of power failure (powered by internal back-up battery).
Operation Temperature, Humidity, IP Rating	-20°C to + 68°C / RH 95% non-condensing / IP 44 indoor model.
Minimum Passage Performance	≥ 15 million passages.
Optional Accessories and Applications	Remote control unit, interface unit for PC, RS485, RS232 and LAN, counter, audio-messaging system, alarm sensor, floor mounting plate, coin slot/intelligent coin system and coin box, separator, card reader pole.
Note	A passage lane consists of min. 2 pieces of single units facing each other.



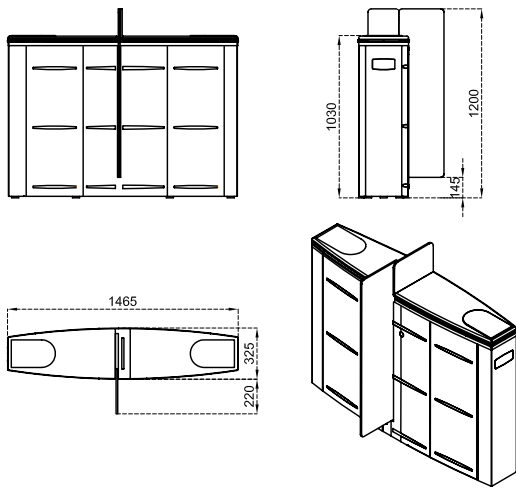
SG 55 S-S
Glass Wing Height : 900 mm



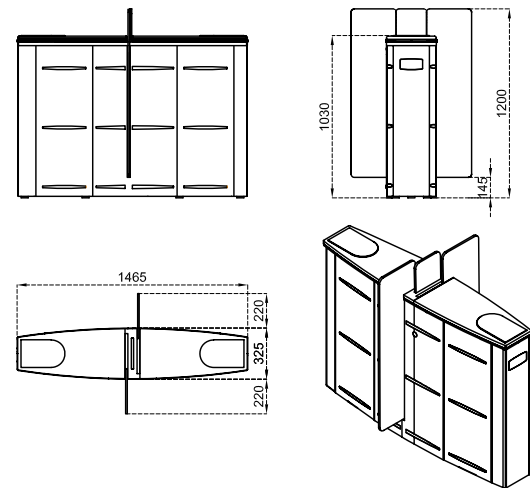
SG 55 S-C
Glass Wing Height : 900 mm



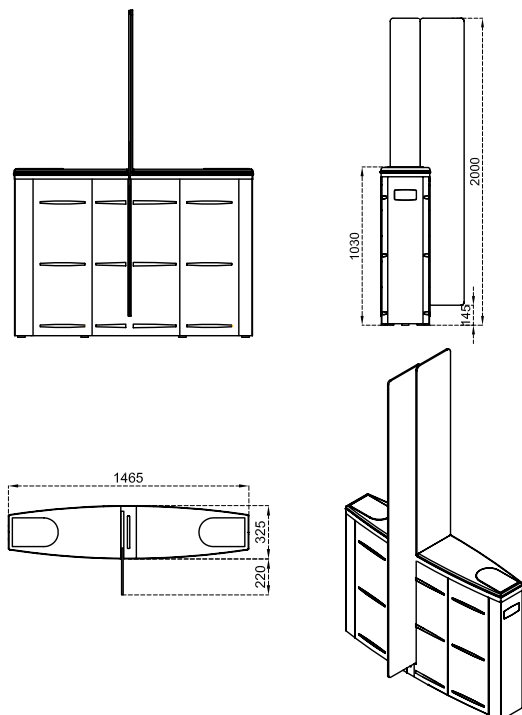
SG 55 M-S
Glass Wing Height : 1200 mm



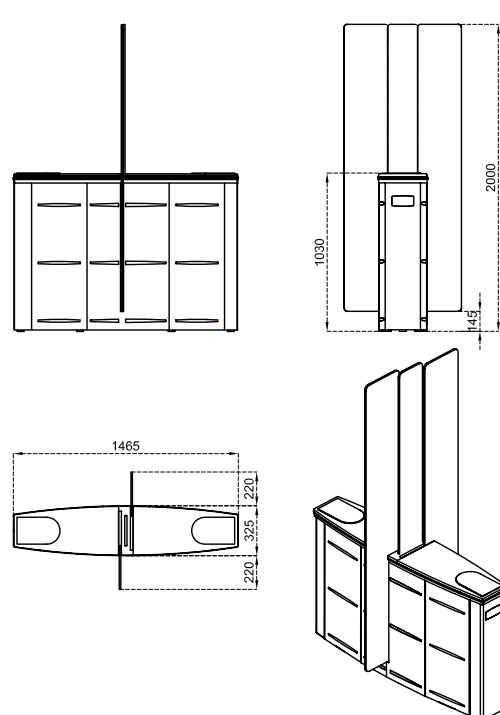
SG 55 M-C
Glass Wing Height : 1200 mm



SG 55 T-S
Glass Wing Height : 2000 mm



SG 55 T-C
Glass Wing Height : 2000 mm

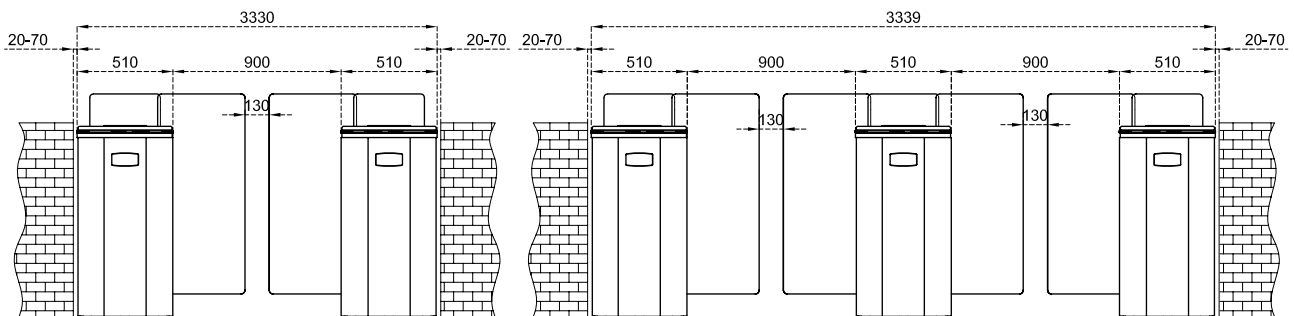


*Design and specifications are subject to change without notice. *All dimensions are in mm.

SG 90 SLIDING GATE

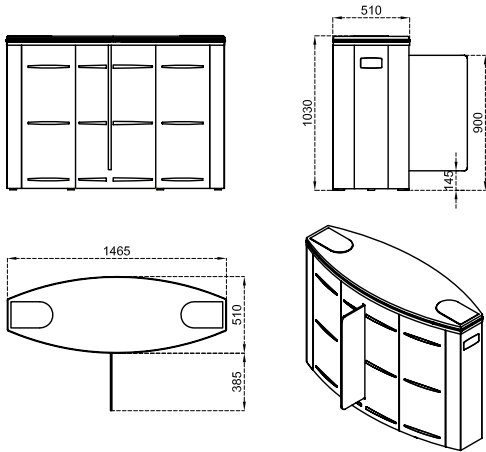


Body Features	The body is made of 304-grade (Opt. 316-grade) satin finished stainless steel. Natural granite (Star Galaxy Black Pattern) stone on top is standard feature for a decorative and aesthetical appearance. (Opt. materials and patterns available).
Wing Features	RGB LED illuminated 12mm impact resistant tempered glass (Opt. polycarbon) wings. Glass wing height options: 900 mm - 1200 mm - 2000 mm in standard.
Top Lid	20 mm natural granite (Star Galaxy Black).
Power Requirements	110/220-240 V. 60/50Hz. AC (%±10) 24V. DC Single Unit : At standby ~10W during operation ~39W Center Unit : At standby ~10W + ~10W during operation ~39W + ~39W
Control System	All inputs are opto-coupler protected. Compatible with all access control systems that provide dry contact or grounding outputs. Optional RS232/RS485/TCP IP control module is available.
Flow Rate	Wing opening speed/time: 1,3-1,8 sec. wing closing speed/time: 1,3-1,8 sec. Nominal: ~25 - 50 passages/minute (recommended reference figure). *Utilisation of different access control units can change the flow rate.
System Features & Operation	Electronically controlled rapid wing movement for quick and smooth bi-directional passages. Internal dip switch selectable free passage by photocell detection, restricted access, controlled access on both or single direction modes are built in features.
Emergency Mode	System allows free passage in emergency mode and in case of power failure (powered by internal back-up battery).
Operation Temperature, Humidity, IP Rating	-20°C to + 68°C / RH 95% non-condensing / IP 44 indoor model.
Minimum Passage Performance	≥ 15 million passages.
Optional Accessories and Applications	Remote control unit, interface unit for PC, RS485, RS232 and LAN, counter, audio-messaging system, alarm sensor, floor mounting plate, coin slot/intelligent coin system and coin box, separator, card reader pole.
Note	A passage lane consists of min. 2 pieces of single units facing each other.

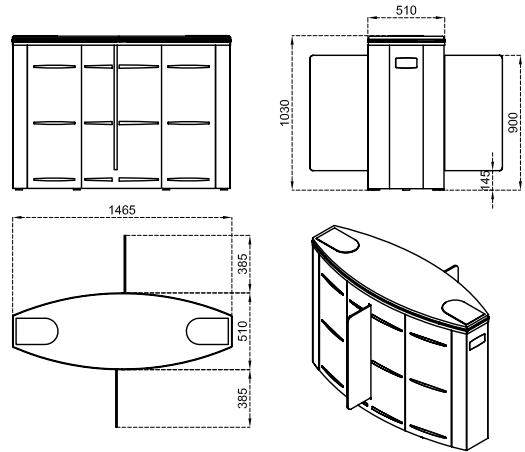


*Design and specifications are subject to change without notice. *All dimensions are in mm.

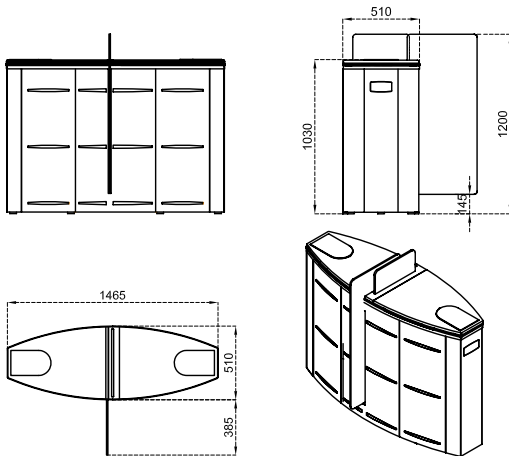
SG 90 S-S
Glass Wing Height: 900 mm



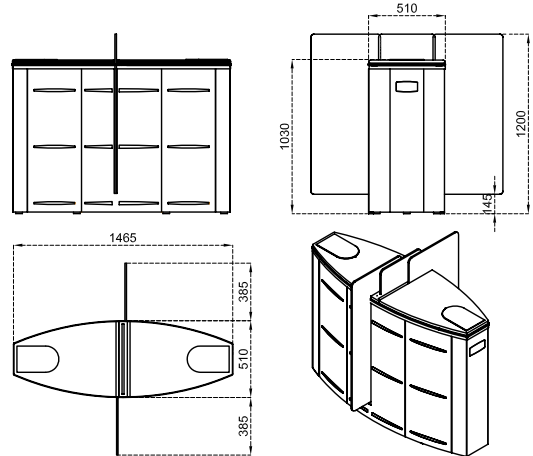
SG 90 S-C
Glass Wing Height: 900 mm



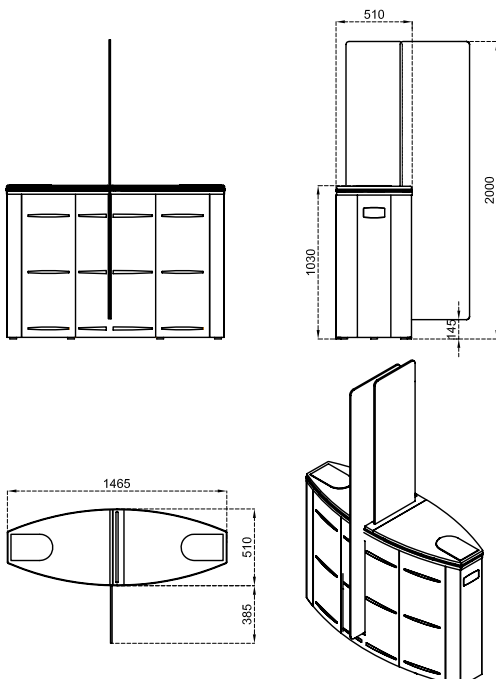
SG 90 M-S
Glass Wing Height: 1200 mm



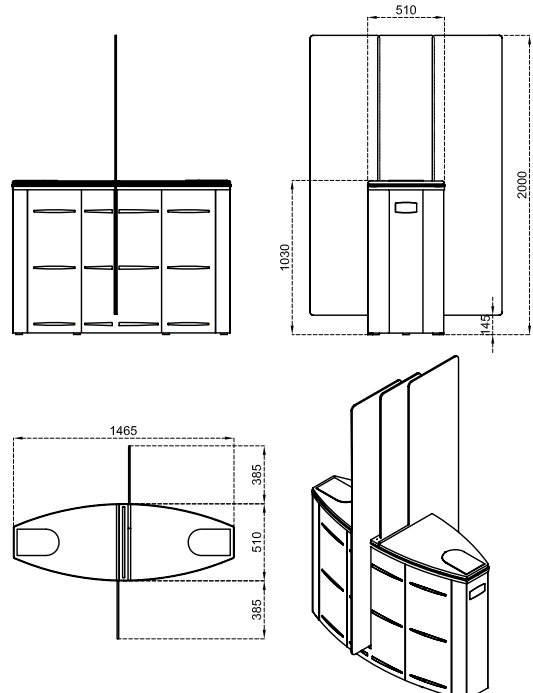
SG 90 M-C
Glass Wing Height: 1200 mm



SG 90 T-S
Glass Wing Height: 2000 mm



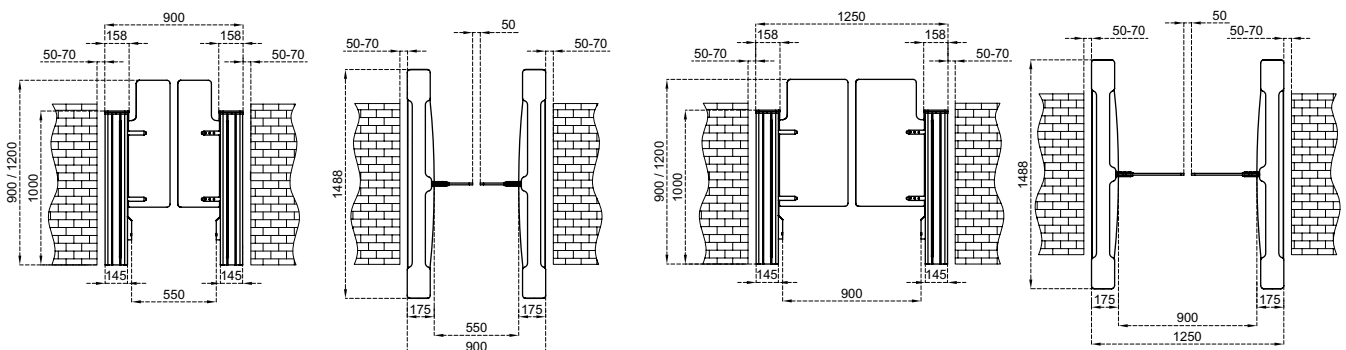
SG 90 T-C
Glass Wing Height: 2000 mm



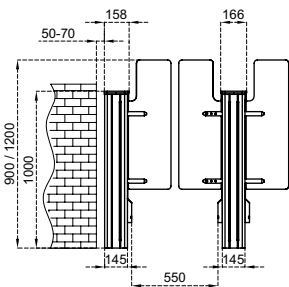
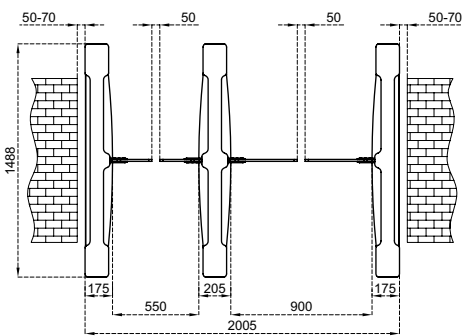
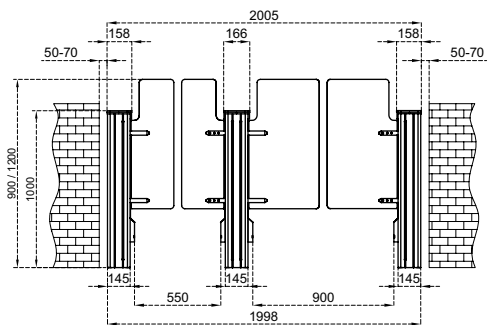
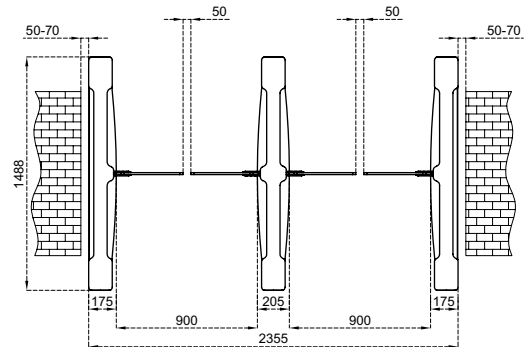
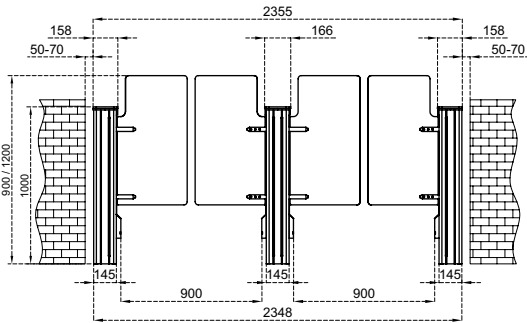
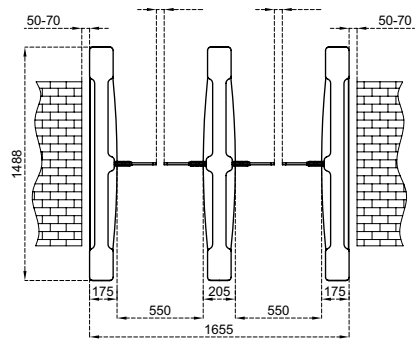
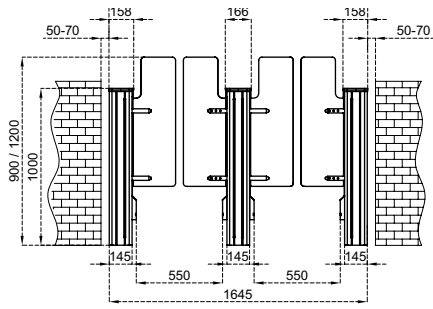
PG 03 PADDLE GATE



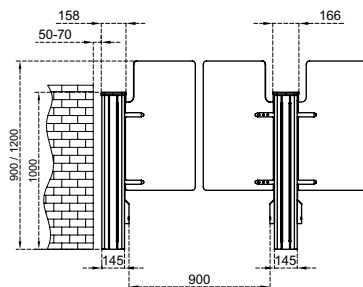
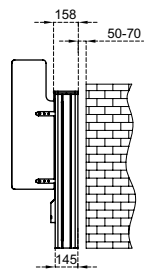
Body Features	Electrostatic powder coated steel body (opt. 304 grade stainless steel).
Wing Features	12 mm thick tempered glass wings (opt. acrylic wings).
Top Lid & Side Panels	10mm acrylic top lid, 6 mm acrylic side panels between vertical posts (opt. tempered glass)
Power Requirements	110/220-240 V. 60/50Hz. AC (%±10) 24V. DC Single Unit : At standby ~10W during operation ~39W Center Unit : At standby ~10W + ~10W during operation ~39W + ~39W
Control System	All inputs are opto-coupler protected. Compatible with all access control systems that provide dry contact or grounding outputs. Optional RS232/RS485/TCP IP control module is available.
Clear Passage Width	550mm and 900mm suitable for passages with wheelchair, trolley etc.
Flow Rate	Wing opening speed/time : ~0,5-1,2 sec. wing closing speed/time: ~0,5-1,2 sec. Nominal : ~30 - 60 passages/minute (recommended reference figure). Utilisation of different access control units can change the flow rate.
System Features & Operation	Electronically controlled wing movement for quick and smooth passages to the passage direction. In case of emergency, the system allows free passage by opening the wings and can be manually opened in case of a power failure.
Emergency Mode	System allows free passage in emergency mode and in case of power failure.
Operation Temperature, Humidity, IP Rating	-20°C to + 68°C / RH 95% non-condensing / IP 44 indoor model.
Minimum Passage Performance	≥ 15 million passages.
Optional Accessories and Applications	Tempered glass side panels, remote control unit, interface unit for PC, RS485, RS232 and LAN, counter, audio-messaging system, base plate, coin slot/intelligent coin system and coin box, separator, card reader pole, different wing heights.
Note	A passage lane consists of min. 2 pieces of single units facing each other.



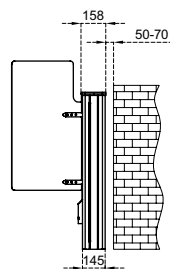
*Design and specifications are subject to change without notice. *All dimensions are in mm.



+ ... n ... +



+ ... n ... +



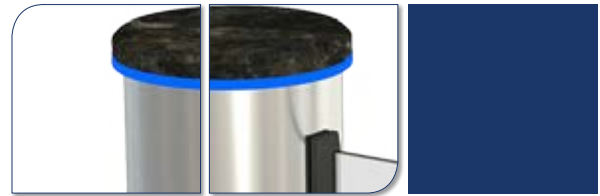




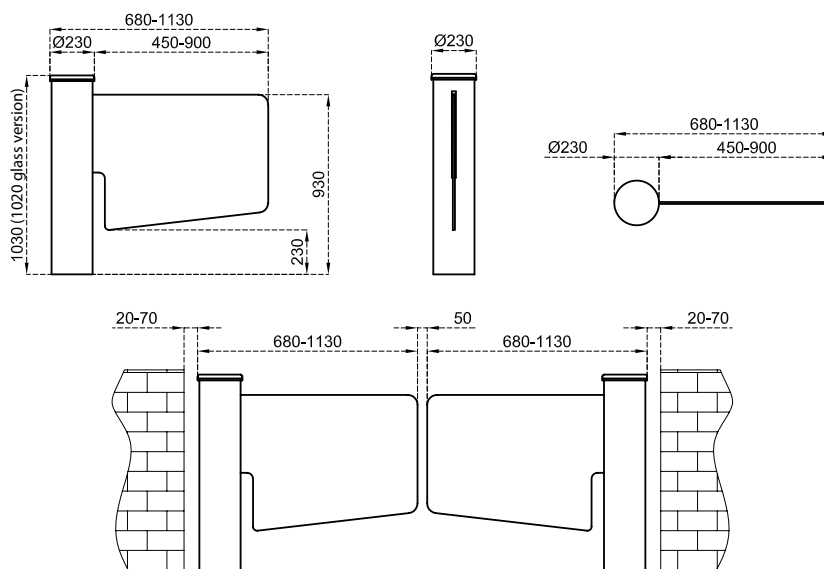
Waist Height Turnstiles - **Glass Line**



GLA1

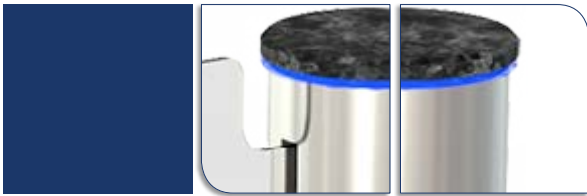


Body Features	Single piece 304-grade (opt. 316-grade) satin finished and circular stainless steel body.
Wing Features	Impact resistant 10 mm thick tempered glass (opt. polycarbon or acrylic). Available in 550 mm or 900 mm standard lengths.
Top Lid	Standard 10 mm thick tempered glass or 20 mm thick natural granite (star galaxy black) stone top lid for a decorative and aesthetical appearance (opt. 20 mm stainless steel or other materials).
Power Requirements	110/220-240 V. 60/50 Hz. AC (%±10) 24 V. DC at standby ~2W. max. ~65W.
Control System	All inputs are opto-coupler protected. Compatible with all access control systems that provide dry contact or grounding outputs. Optional RS232/RS485/TCP IP control module is available.
Flow Rate	Wing opening /closing time ~1,5 - 2,5 sec.
System Features & Operation	Bi-directional DC motor driven mechanism with torque and speed adjustments. The system opens the wing 90° in either direction and waits upon receiving contact to allow passage. Wing moves back and locks upon time-out or by manual control.
Emergency Mode	System allows free passage in emergency mode and in case of power failure.
Operation Temperature, Humidity, IP Rating	-20°C to + 68°C (Opt. -50°C with heater unit), RH 95% non-condensing / IP 44 indoor model (for pipe wing versions. IP 56 option is available.)
Minimum Passage Performance	≥ 15 million passages.
Optional Accessories and Applications	Remote control unit, interface unit for PC, RS485, RS232 and LAN, counter, audio-messaging system, floor mounting plate, separator, card reader pole. Exit gate functionality to be used on emergency escape routes as per EltVTR 1997-12 and DIN EN 60950-1:2011-01 (GL A1 FWZ).

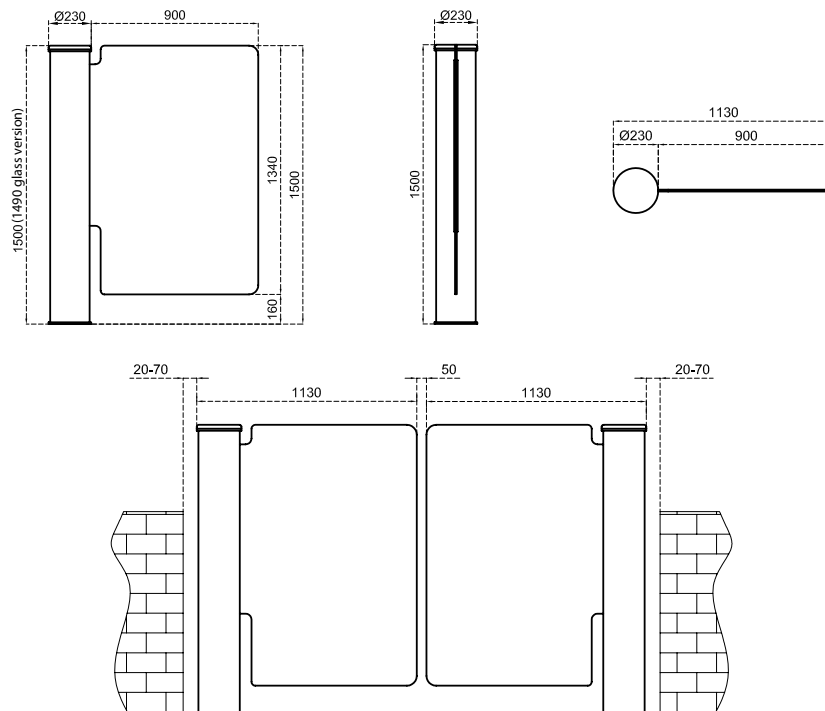


*Design and specifications are subject to change without notice. *All dimensions are in mm.

GL A2



Body Features	Single piece 304-grade (opt. 316-grade) satin finished and circular stainless steel body.
Wing Features	Impact resistant 10 mm thick tempered glass (Opt. polycarbon or acrylic).
Top Lid	Standard 10 mm thick tempered glass or 20 mm thick natural granite (star galaxy black) stone top lid for a decorative and aesthetical appearance (opt. 20 mm stainless steel or other materials).
Power Requirements	110/220-240 V. 60/50 Hz. AC (%±10) 24 V. DC at standby ~2W. max. ~65W.
Control System	All inputs are opto-coupler protected. Compatible with all access control systems that provide dry contact or grounding outputs. Optional RS232/RS485/TCP IP control module is available.
Flow Rate	Wing opening /closing time ~2,5 - 3,5 sec.
System Features & Operation	Bi-directional DC motor driven mechanism with torque and speed adjustments. The system opens the wing 90° in either direction and waits upon receiving contact to allow passage. Wing moves back and locks upon time-out or by manual control.
Emergency Mode	System allows free passage in emergency mode and in case of power failure.
Operation Temperature, Humidity, IP Rating	-20°C to + 68°C (Opt. -50°C with heater unit), RH 95% non-condensing / IP 44 indoor model (for pipe wing versions IP 56 option is available.)
Minimum Passage Performance	≥ 15 million passages.
Optional Accessories and Applications	Remote control unit, interface unit for PC, RS485, RS232 and LAN, counter, audio-messaging system, floor mounting plate, separator, card reader pole.



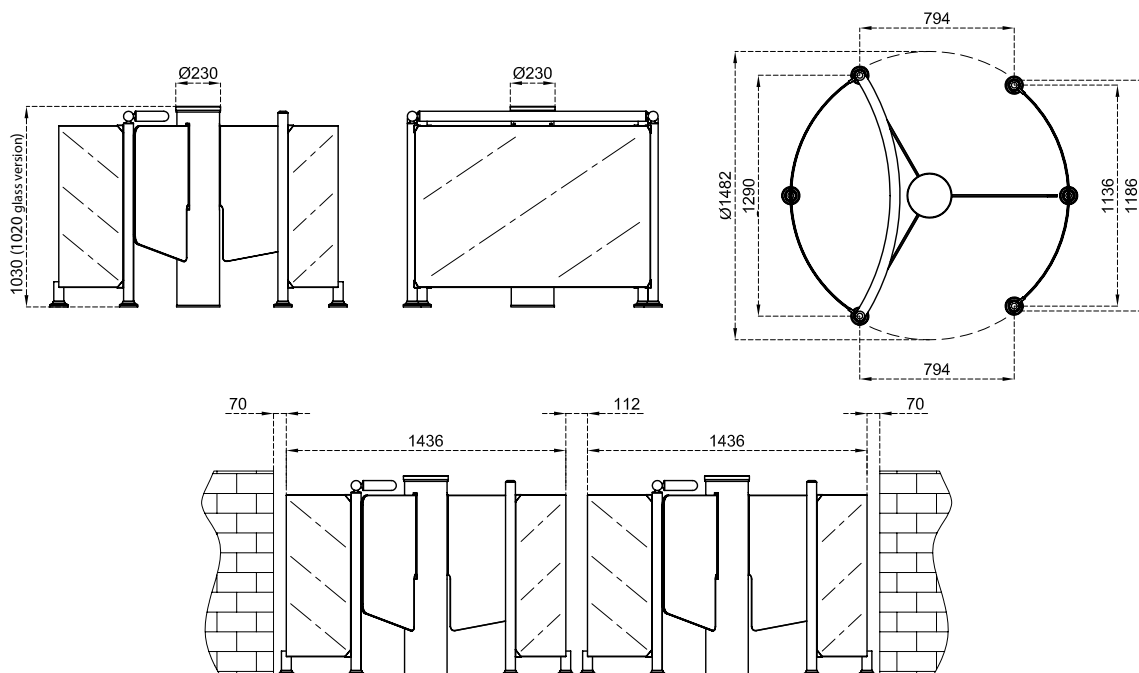
*Design and specifications are subject to change without notice. *All dimensions are in mm.



GL A3



Wood Body Features	Single piece, 304-grade satin finished stainless steel cylindrical body with polished mahogany top lid for a decorative and aesthetical appearance (opt. 20 mm stainless steel or other materials). Polished mahogany covering is included on separator railings.
Glass/Granite Body Features	Single piece, 304-grade satin finished stainless steel cylindrical body with standard 10 mm thick tempered glass or 20 mm thick natural granite (star galaxy black) stone top lid for a decorative and aesthetical appearance (opt. 20 mm stainless steel or other materials).
Wing Features	Three impact resistant 10 mm. thick tempered glass wings. (Opt. polycarbon or acrylic).
Power Requirements	110/220-240 V. 60/50 Hz. AC (%±10) 24 V. DC at standby ~2W. max. ~65W.
Control System	All inputs are opto-coupler protected. Compatible with all access control systems that provide dry contact or grounding outputs. Optional RS232/RS485/TCP IP control module is available.
Flow Rate	9 - 25 Passages / Minute *Utilisation of different access control units can change the flow rate.
System Features & Operation	Bi-directional DC motor driven mechanism. Wings rotate 120° in either direction and locks upon receiving contact to allow passage.
Emergency Mode	System allows free passage in emergency mode and in case of power failure.
Operation Temperature, Humidity, IP Rating	-20°C to +68°C (Opt. -50°C with heater unit), RH 95% non-condensing / IP 44 indoor model
Minimum Passage Performance	≥ 15 million passages.
Optional Accessories and Applications	Remote control unit, interface unit for PC, RS485, RS232 and LAN, counter, audio-messaging system, floor mounting plate, separator, card reader pole.



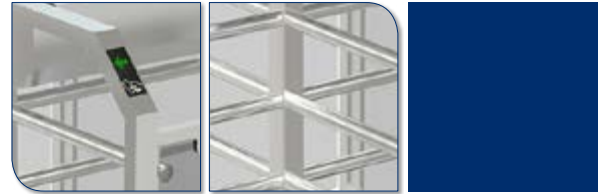
*Design and specifications are subject to change without notice. *All dimensions are in mm.



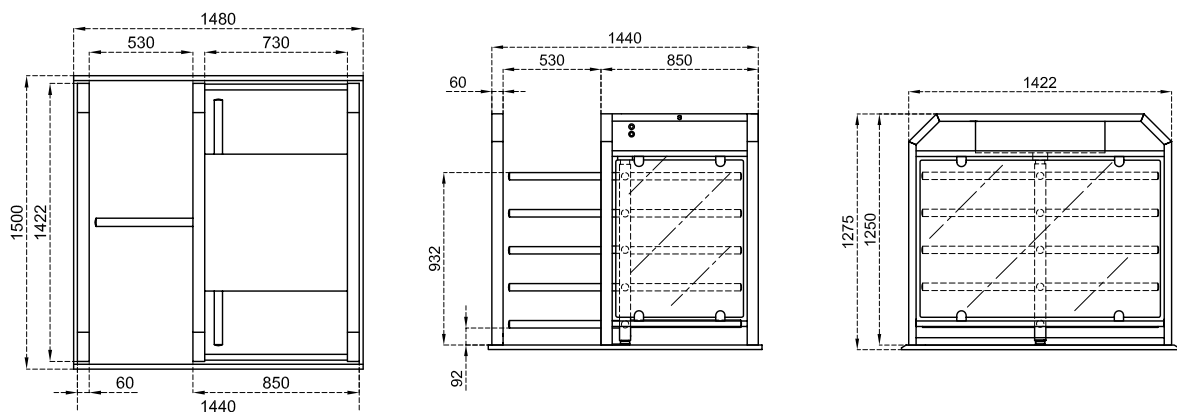
Half Height Turnstiles



HT 400



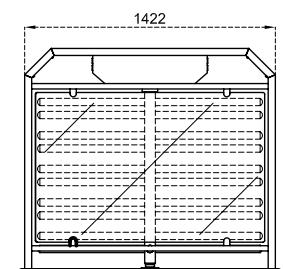
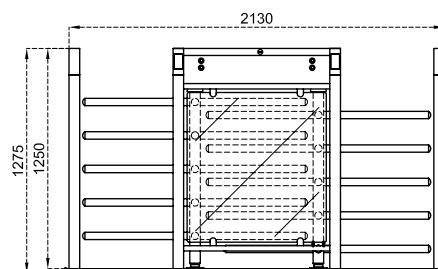
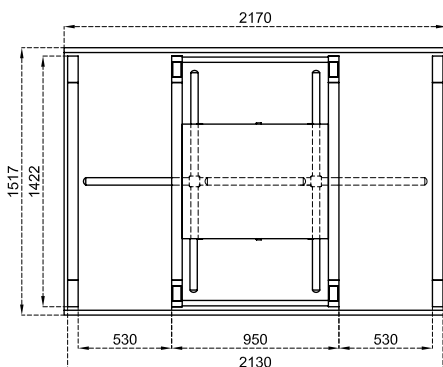
Body Features	304-grade (opt. 316-grade) stainless steel with brushed (opt. satin) surface. Tempered glass or vertical stainless steel bar (depending on choice) front and side separator panels.
Arm Features	Four-section rotor (90°) arm. Each section contains five Ø40 mm x 2 mm, 304-grade stainless steel (opt. Ø42, Ø45 mm) arms.
Power Requirements	110/220-240 V. 60/50Hz. AC (%±10) 24V. DC at standby ~6 W. max. ~16,2W.
Control System	All inputs are opto-coupler protected. Compatible with all access control systems that provide dry contact or grounding outputs. Optional RS232/RS485/TCP IP control module is available.
Flow Rate	Capacity of mechanism (manual) : Max. 60 pass/min. Nominal : ~18 pass/min. Capacity of mechanism (motorized) : Max. 48 pass/min. Nominal : ~15 pass/min. *Utilisation of different access control units can change the flow rate.
Emergency Mode	System allows free passage in emergency mode and in case of power failure.
Operation Temperature, Humidity, IP Rating	-20°C to +68°C (opt. -50°C with heater unit), RH 95% non-condensing / IP 56 outdoor model (opt. IP 66).
Minimum Passage Performance	≥ 15 million passages.
Operation	Manually operated bi-directional system (optional motorized) with dip switch selectable operational modes including controlled access on both sides, one side free (exit or entry) and other side controlled access and access restriction modes.
Optional Accessories and Applications	Remote control units, interface unit for PC, RS485, RS232 and LAN, counter, audio-messaging system, floor mounting plate, coin slot/intelligent coin system and coin box, card reader pole, seat limiter for stadium solutions, animated indicators, internal battery and charge unit, motor driven unit, heater positive unit, separators, card reader mounting bracket.



HT 400 D



Body Features	304-grade (opt. 316-grade) stainless steel with brushed (opt. satin) surface. Tempered glass or vertical stainless steel bar (depending on choice) front and side separator panels.
Arm Features	A pair of four-section (90°) rotors. Each section contains five Ø40 mm x 2mm, 304-grade stainless steel (opt. Ø42, Ø45 mm) arms.
Power Requirements	110/220V. 60/50Hz. AC (%±10) 24V. DC, at stand by ~6 W. + ~6 W ; max. ~16,2W. + 16,2W.
Control System	All inputs are opto-coupler protected. Compatible with all access control systems that provide dry contact or grounding outputs. Optional RS232/RS485/TCP IP control module is available.
Flow Rate	Capacity of mechanism (manual) : Max. 60 + 60 pass/min. Nominal : ~18 + ~18 pass/min. Capacity of mechanism (motorized) : Max. 48 + 48 pass/min. Nominal : ~15 + ~15 pass/min. *Utilisation of different access control units can change the flow rate.
Emergency Mode	System allows free passage in emergency mode and in case of power failure.
Operation Temperature, Humidity, IP Rating	-20°C to + 68°C (opt. -50°C with heater unit), RH 95% non-condensing / IP 56 outdoor model (opt. IP 66).
Minimum Passage Performance	≥ 15 million passages.
Operation	Manually operated bi-directional system (optional motorized) with dip switch selectable operational modes including controlled access on both sides, one side free (exit or entry) and other side controlled access and access restriction modes.
Optional Accessories and Applications	Remote control units, interface unit for PC, RS485, RS232 and LAN, counter, audio-messaging system, floor mounting plate, coin slot/intelligent coin system and coin box, card reader pole, seat limiter for stadium solutions, animated indicators, internal battery and charge unit, motor driven unit, heater positive unit, separators, card reader mounting bracket.



*Design and specifications are subject to change without notice. *All dimensions are in mm.



73

Maden ve
sektörüne ek
teknoloji

3



Full Height Turnstiles - 3 Arms (120°)

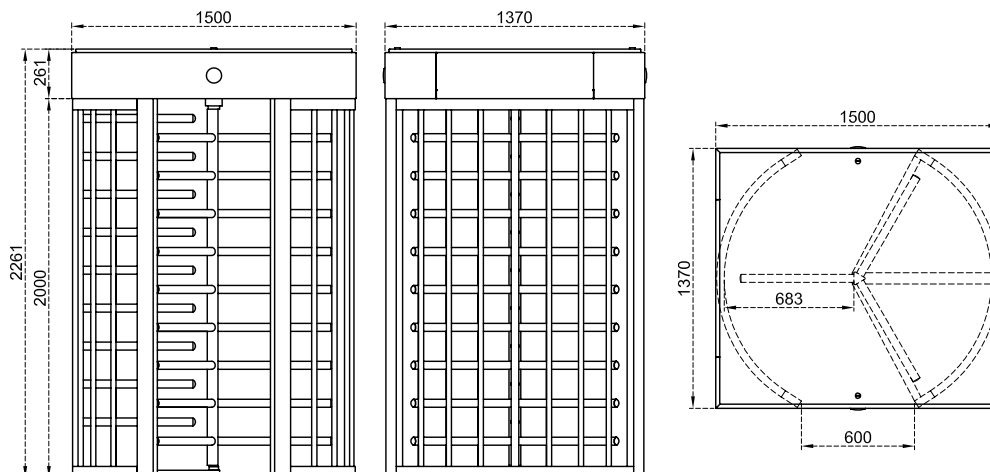




BT 312



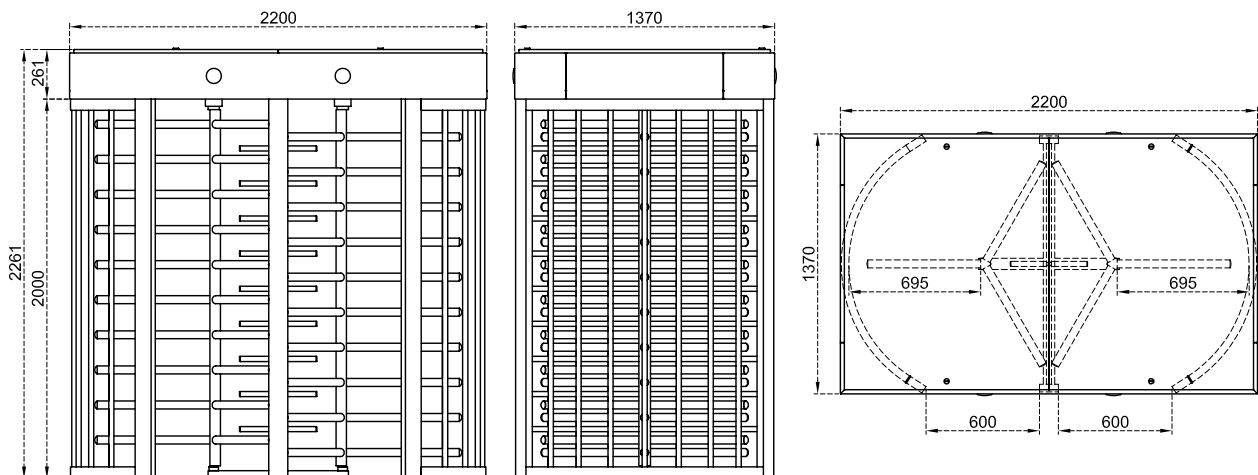
Body Features	304-grade (opt. 316-grade) brushed finished stainless steel, electrostatic painted surface or mixed combination options. (opt. hot dip galvanizing under coating for outdoor models). Optionally available to comply with UK H&S regulations of max. 98 mm gap between upright profiles.
Arm Features	Three-section rotor (120°). Each section contains nine Ø42x2.5mm electrostatic powder coated hot dip galvanized or Ø40x2 mm stainless steel (opt. Ø38, Ø42 and Ø45mm) arms.
Power Requirements	110/220-240 V. 60/50Hz. AC (%±10) 24V. DC at standby ~3W. max. ~15W.
Control System	All inputs are opto-coupler protected. Compatible with all access control systems that provide dry contact or grounding outputs. Optional RS232/RS485/TCP IP control module is available.
Flow Rate	Capacity of mechanism (manual) : Max. 60 pass/min. Nominal : ~18 pass/min. Capacity of mechanism (motorized) : Max. 48 pass/min. Nominal : ~15 pass/min. *Utilisation of different access control units can change the flow rate.
Emergency Mode	System allows free passage in emergency mode and in case of power failure.
Operation Temperature, Humidity, IP Rating	-20°C to +68°C (Opt. -50°C with heater unit), RH 95% non-condensing / IP 56 outdoor model (opt. IP 66).
Minimum Passage Performance	≥ 15 million passages.
Operation	Manually operated bi-directional system (optional motorized) with dip switch selectable operational modes including controlled access on both sides, one side free (exit or entry) and other side controlled access and access restriction modes.
Optional Accessories and Applications	Remote control units, interface unit for PC, RS485, RS232 and LAN, counter, audio-messaging system, floor mounting plate, coin slot/intelligent coin system and coin box, card reader pole, seat limiter for stadium solutions, animated indicators, internal battery and charge unit, motor driven unit, heater positive unit, separators, card reader mounting bracket, down light.



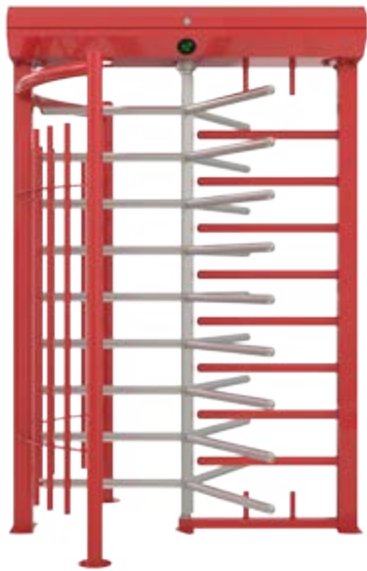
BT 312 D



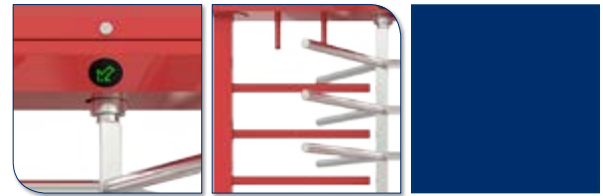
Body Features	304-grade (opt. 316-grade) brushed finished stainless steel, electrostatic painted surface or mixed combination options. (opt. hot dip galvanizing under coating for outdoor models). Optionally available to comply with UK H&S regulations of max. 98 mm gap between upright profiles.
Arm Features	A pair of three-section rotors (120°). Each section contains ten Ø4x2.5mm electrostatic powder coated hot dip galvanized or Ø40x2 mm stainless steel (opt. Ø38, Ø42 and Ø45mm) arms.
Power Requirements	110/220-240 V. 60/50Hz. AC (%±10) 24V. DC, at standby ~3W. + ~3W. max. ~15W. + ~15W.
Control System	All inputs are opto-coupler protected. Compatible with all access control systems that provide dry contact or grounding outputs. Optional RS232/RS485/TCP IP control module is available.
Flow Rate	Capacity of mechanism (manual) : Max. 60 + 60 pass/min. Nominal : ~18 + ~18 pass/min. Capacity of mechanism (motorized) : Max. 48 + 48 pass/min. Nominal : ~15 + ~15 pass/min. *Utilisation of different access control units can change the flow rate.
Emergency Mode	System allows free passage in emergency mode and in case of power failure.
Operation Temperature, Humidity, IP Rating	-20°C to + 68°C (opt. -50°C with heater unit), RH 95% non-condensing / IP 56 outdoor model (opt. IP 66).
Minimum Passage Performance	≥ 15 million passages.
Operation	Manually operated bi-directional system (optional motorized) with dip switch selectable operational modes including controlled access on both sides, one side free (exit or entry) and other side controlled access and access restriction modes.
Optional Accessories and Applications	Remote control units, interface unit for PC, RS485, RS232 and LAN, counter, audio-messaging system, floor mounting plate, coin slot/intelligent coin system and coin box, card reader pole, seat limiter for stadium solutions, animated indicators, internal battery and charge unit, motor driven unit, heater positive unit, separators, card reader mounting bracket, down light.



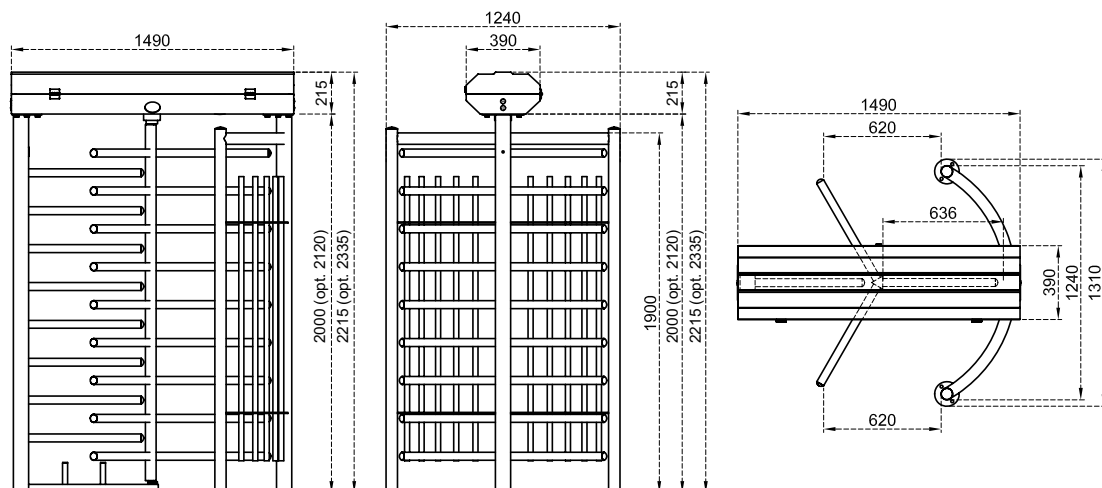
*Design and specifications are subject to change without notice. *All dimensions are in mm.



BTX 300 N1



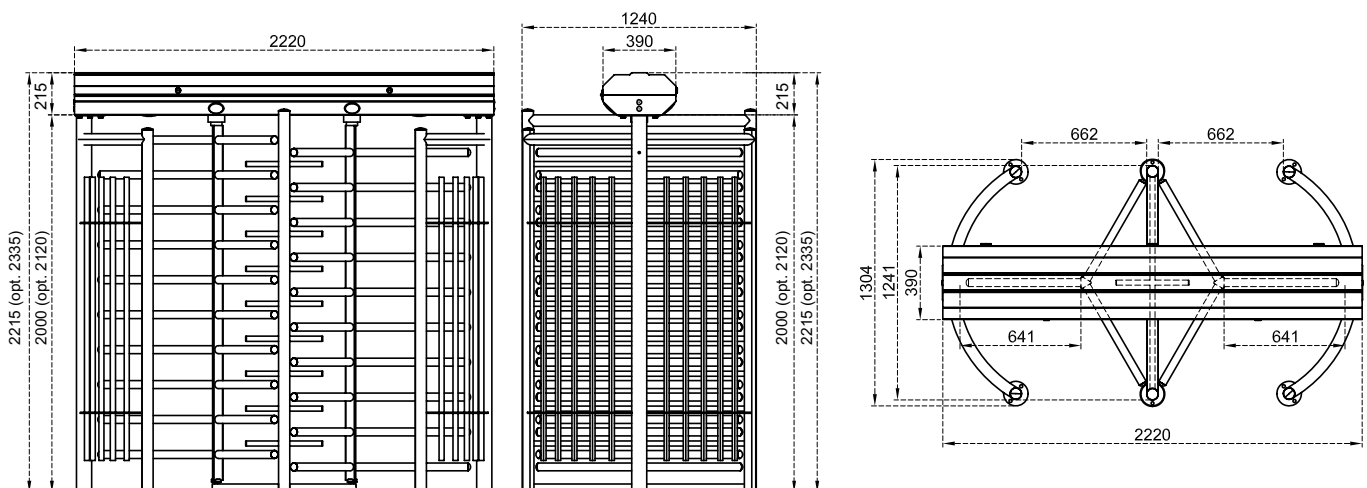
Body Features	304-grade (opt. 316-grade) brushed finished stainless steel, electrostatic painted surface or mixed combination versions. (opt. hot dip galvanizing under coating for outdoor models). Complying to UK H&S regulations of max. 98 mm gap between upright profiles. Top lid is equipped with damper for safety and service convenience. Intelligent illumination system provides energy saving feature (illuminating automatically in darkness/at night and optionally can run parallel with site illumination).
Arm Features	Three-section rotor (120°). Each section contains nine Ø42x2.5 mm electrostatic powder coated hot dip galvanized or Ø40x2 mm stainless steel (opt. Ø38, Ø42 and Ø45 mm) arms.
Power Requirements	110/220-240 V. 60/50Hz. AC (%±10) 24V. DC at standby ~8W. max. ~20W.
Control System	All inputs are opto-coupler protected. Compatible with all access control systems that provide dry contact or grounding outputs. Optional RS232/RS485/TCP IP control module is available.
Flow Rate	Capacity of mechanism (manual) : Max. 60 pass/min. Nominal : ~18 pass/min. Capacity of mechanism (motorized) : Max. 48 pass/min. Nominal : ~15 pass/min. *Utilisation of different access control units can change the flow rate.
Emergency Mode	System allows free passage in emergency mode and in case of power failure.
Operation Temperature, Humidity, IP Rating	-20°C to +68°C (opt. -50°C with heater unit), RH 95% non-condensing / IP 56 outdoor model (opt. IP 66).
Minimum Passage Performance	≥ 15 million passages.
Operation	Manually operated bi-directional system (optional motorized) with dip switch selectable operational modes including controlled access on both sides, one side free (exit or entry) and other side controlled access and access restriction modes.
Optional Accessories and Applications	Remote control units, interface unit for PC, RS485, RS232 and LAN, counter, audio-messaging system, floor mounting plate, coin slot/intelligent coin system and coin box, card reader pole, seat limiter for stadium solutions, animated indicators, internal battery and charge unit, motor driven unit, heater positive unit, separators, canopy, card reader mounting bracket, special illumination adaptation.



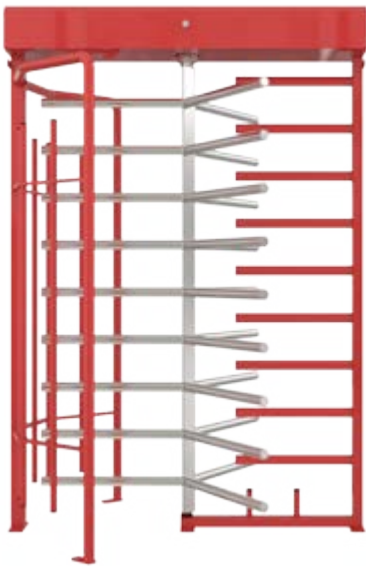
BTX 300 N1 D



Body Features	304-grade (opt. 316-grade) brushed finished stainless steel, electrostatic painted surface or mixed combination versions. (opt. hot dip galvanizing under coating for outdoor models). Complying to UK H&S regulations of max. 98 mm gap between upright profiles. Top lid is equipped with damper for safety and service convenience. Intelligent illumination system provides energy saving feature (illuminating automatically in darkness/at night and optionally can run parallel with site illumination).
Arm Features	A pair of three-section rotor (120°). Each section contains nine Ø42x2.5mm electrostatic powder coated hot dip galvanized or Ø40x2 mm stainless steel (opt. Ø38, Ø42 and Ø45mm) arms.
Power Requirements	110/220-240 V. 60/50Hz. AC (%±10) 24V. DC at standby ~8W + 8W. max. ~20W + 20W
Control System	All inputs are opto-coupler protected. Compatible with all access control systems that provide dry contact or grounding outputs. Optional RS232/RS485/TCP IP control module is available.
Flow Rate	Capacity of mechanism (manual) : Max. 60 + 60 pass/min. Nominal : ~18 + ~18 pass/min. Capacity of mechanism (motorized) : Max. 48 + 48 pass/min. Nominal : ~15 + ~15 pass/min. *Utilisation of different access control units can change the flow rate.
Emergency Mode	System allows free passage in emergency mode and in case of power failure.
Operation Temperature, Humidity, IP Rating	-20°C to +68°C (opt. -50°C with heater unit), RH 95% non-condensing / IP 56 outdoor model (opt. IP 66).
Minimum Passage Performance	≥ 15 million passages.
Operation	Manually operated bi-directional system (optional motorized) with dip switch selectable operational modes including controlled access on both sides, one side free (exit or entry) and other side controlled access and access restriction modes.
Optional Accessories and Applications	Remote control units, interface unit for PC, RS485, RS232 and LAN, counter, audio-messaging system, floor mounting plate, coin slot/intelligent coin system and coin box, card reader pole, seat limiter for stadium solutions, animated indicators, internal battery and charge unit, motor driven unit, heater positive unit, separators, canopy, card reader mounting bracket, special illumination adaptation.



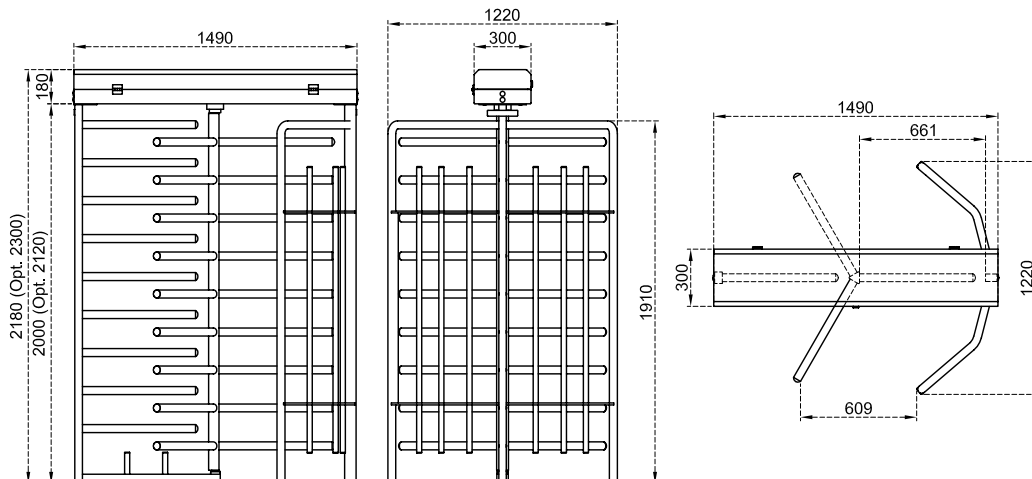
*Design and specifications are subject to change without notice. *All dimensions are in mm.



ECOLINE 300



Body Features	304-grade (opt. 316-grade) brushed finished stainless steel, electrostatic painted surface or mixed combination versions. (opt. hot dip galvanizing under coating for outdoor models) with down light.
Arm Features	Three-section rotor (120°). Each section contains nine Ø42x2.5mm electrostatic powder coated hot dip galvanized or Ø40x2 mm stainless steel (opt. Ø38, Ø42 and Ø45mm) arms.
Power Requirements	110/220-240 V. 60/50Hz. AC (%±10) 24V. DC at standby ~3W. max. ~15W.
Control System	All inputs are opto-coupler protected. Compatible with all access control systems that provide dry contact or grounding outputs. Optional RS232/RS485/TCP IP control module is available.
Flow Rate	Capacity of mechanism (manual) : Max. 60 pass/min. Nominal : ~18 pass/min. Capacity of mechanism (motorized) : Max. 48 pass/min. Nominal : ~15 pass/min. *Utilisation of different access control units can change the flow rate.
Emergency Mode	System allows free passage in emergency mode and in case of power failure.
Operation Temperature, Humidity, IP Rating	-20°C to +68°C (Opt. -50°C with heater unit), RH 95% non-condensing / IP 56 outdoor model (opt. IP 66).
Minimum Passage Performance	≥ 15 million passages.
Operation	Manually operated bi-directional system (optional motorized) with dip switch selectable operational modes including controlled access on both sides, one side free (exit or entry) and other side controlled access and access restriction modes.
Optional Accessories and Applications	LED direction and status indicators, remote control units, interface unit for PC, RS485, RS232 and LAN, counter, audio-messaging system, floor mounting plate, coin slot/intelligent coin system and coin box, card reader pole, seat limiter for stadium solutions, animated indicators, internal battery and charge unit, motor driven unit, heater positive unit, separators, card reader mounting bracket.

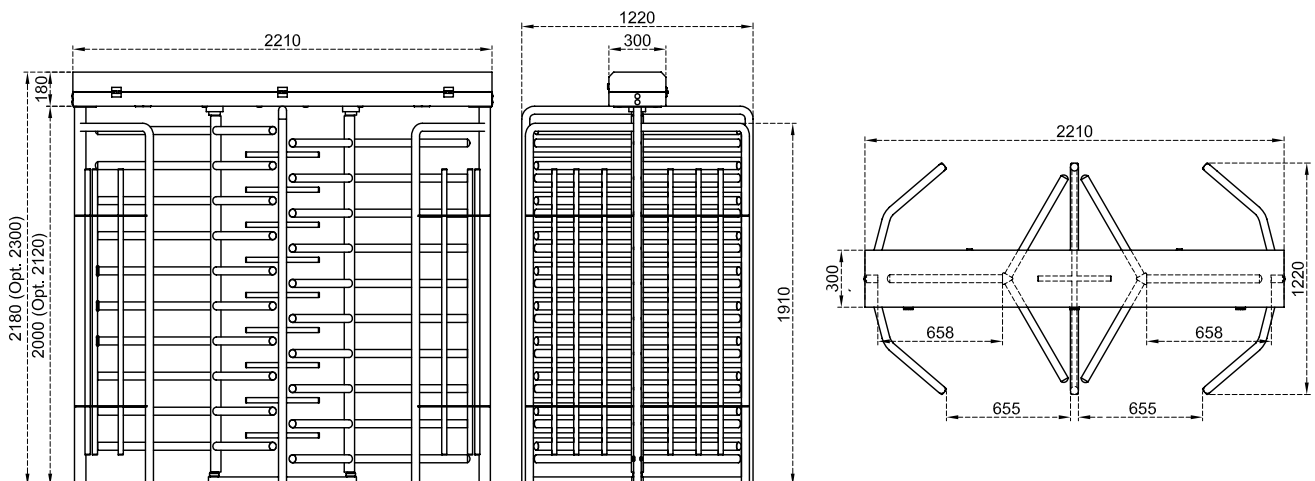


*Design and specifications are subject to change without notice. *All dimensions are in mm.

ECOLINE 300 D



Body Features	304-grade (opt. 316-grade) brushed finished stainless steel, electrostatic painted surface or mixed combination versions. (opt. hot dip galvanizing under coating for outdoor models) with down light.
Arm Features	A pair of three-section rotor (120°). Each section contains nine Ø42x2.5mm electrostatic powder coated hot dip galvanized or Ø40x2 mm stainless steel (Opt. Ø38, Ø42 and Ø45mm) arms.
Power Requirements	110/220-240 V. 60/50Hz. AC (%±10) 24V. DC at standby ~3W + 3W. max. ~15W + 15W.
Control System	All inputs are opto-coupler protected. Compatible with all access control systems that provide dry contact or grounding outputs. Optional RS232/RS485/TCP IP control module is available.
Flow Rate	Capacity of mechanism (manual) : Max. 60 + 60 pass/min. Nominal : ~18 + ~18 pass/min. Capacity of mechanism (motorized) : Max. 48 + 48 pass/min. Nominal : ~15 + ~15 pass/min. *Utilisation of different access control units can change the flow rate.
Emergency Mode	System allows free passage in emergency mode and in case of power failure.
Operation Temperature, Humidity, IP Rating	-20°C to +68°C (Opt. -50°C with heater unit), RH 95% non-condensing / IP 56 outdoor model (opt. IP 66).
Minimum Passage Performance	≥ 15 million passages.
Operation	Manually operated bi-directional system (optional motorized) with dip switch selectable operational modes including controlled access on both sides, one side free (exit or entry) and other side controlled access and access restriction modes.
Optional Accessories and Applications	LED direction and status indicators, remote control units, interface unit for PC, RS485, RS232 and LAN, counter, audio-messaging system, floor mounting plate, coin slot/intelligent coin system and coin box, card reader pole, seat limiter for stadium solutions, animated indicators, internal battery and charge unit, motor driven unit, heater positive unit, separators, card reader mounting bracket.



*Design and specifications are subject to change without notice. *All dimensions are in mm.



ТОФИҚ БӘΗΡΑΜΟΝ ΑΔΙΝΑ R

REPUBLIKA STADIONU





**TÜRK
TELEKOM**

B3



B3

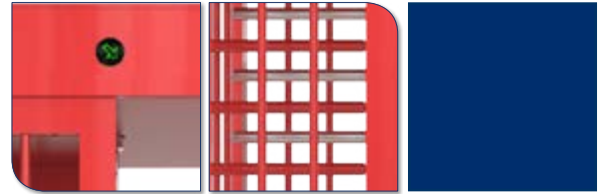




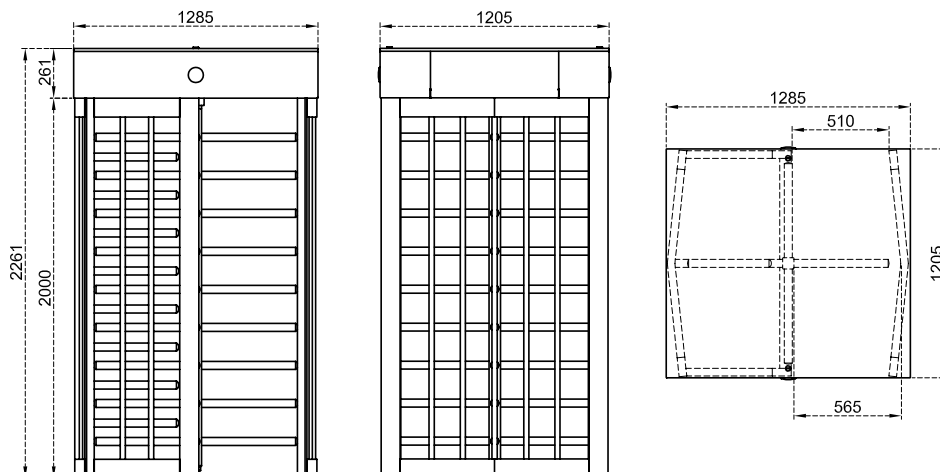
Full Height Turnstiles - 4 Arms (90°)



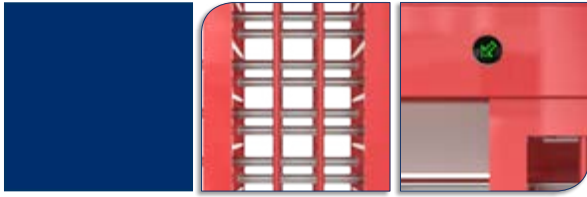
BT 402



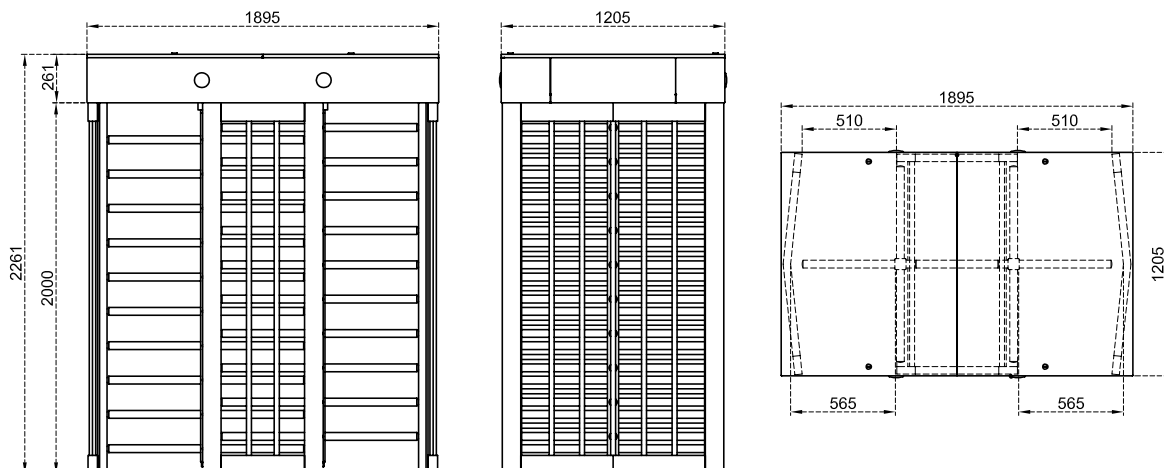
Body Features	304-grade (opt. 316-Grade) brushed finished stainless steel, electrostatic painted surface or mixed combination options. (opt. Hot dip galvanizing under coating for outdoor models). Optionally available to comply with UK H&S regulations of max. 98 mm gap between upright profiles.
Arm Features	Four-section rotor (90°). Each section contains nine Ø42mmx2.5mm electrostatic powder coated hot dip galvanized or Ø40mm stainless steel (opt. Ø38, Ø42 and Ø45mm) arms.
Power Requirements	110/220-240 V. 60/50Hz. AC (%±10) 24V. DC at standby ~3W. max. ~15W.
Control System	All inputs are opto-coupler protected. Compatible with all access control systems that provide dry contact or grounding outputs. Optional RS232/RS485/TCP IP control module is available.
Flow Rate	Capacity of mechanism (manual) : Max. 60 pass/min. Nominal : ~18 pass/min. Capacity of mechanism (motorized) : Max. 48 pass/min. Nominal : ~15 pass/min. *Utilisation of different access control units can change the flow rate.
Emergency Mode	System allows free passage in emergency mode and in case of power failure.
Operation Temperature, Humidity, IP Rating	-20°C to +68°C (Opt. -50°C with heater unit), RH 95% non-condensing / IP 56 outdoor model (opt. IP 66).
Minimum Passage Performance	≥ 15 million passages.
Operation	Manually operated bi-directional system (optional motorized) with dip switch selectable operational modes including controlled access on both sides, one side free (exit or entry) and other side controlled access and access restriction modes.
Optional Accessories and Applications	Remote control units, interface unit for PC, RS485, RS232 and LAN, counter, audio-messaging system, floor mounting plate, coin slot/intelligent coin system and coin box, card reader pole, seat limiter for stadium solutions, animated indicators, internal battery and charge unit, motor driven unit, heater positive unit, separators, canopy, card reader mounting bracket.



BT 402 D



Body Features	304-grade (opt. 316-grade) brushed finished stainless steel, electrostatic painted surface or mixed combination options. (opt. hot dip galvanizing under coating for outdoor models). Optionally available to comply with UK H&S regulations of max. 98 mm gap between upright profiles.
Arm Features	A pair of four-section (90°) rotors. Each section contains ten Ø42 mmx2.5 mm electrostatic powder coated hot dip galvanized or Ø40 mm stainless steel (opt. Ø38, Ø42 and Ø45 mm) arms.
Power Requirements	110/220-240 V. 60/50Hz. AC (%±10) 24V. DC, at standby ~3W. + ~3W. max. ~15W. + ~15W.
Control System	All inputs are opto-coupler protected. Compatible with all access control systems that provide dry contact or grounding outputs. Optional RS232/RS485/TCP IP control module is available.
Flow Rate	Capacity of mechanism (manual) : Max. 60 + 60 pass/min. Nominal : ~18 + ~18 pass/min. Capacity of mechanism (motorized) : Max. 48 + 48 pass/min. Nominal : ~15 + ~15 pass/min. *Utilisation of different access control units can change the flow rate.
Emergency Mode	System allows free passage in emergency mode and in case of power failure.
Operation Temperature, Humidity, IP Rating	-20°C to +68°C (Opt. -50°C with heater unit), RH 95% non-condensing / IP 56 outdoor model (opt. IP 66).
Minimum Passage Performance	≥ 15 million passages.
Operation	Manually operated bi-directional system (optional motorized) with dip switch selectable operational modes including controlled access on both sides, one side free (exit or entry) and other side controlled access and access restriction modes.
Optional Accessories and Applications	Remote control units, interface unit for PC, RS485, RS232 and LAN, counter, audio-messaging system, floor mounting plate, coin slot/intelligent coin system and coin box, card reader pole, seat limiter for stadium solutions, animated indicators, internal battery and charge unit, motor driven unit, heater positive unit, separators, canopy, card reader mounting bracket.



*Design and specifications are subject to change without notice. *All dimensions are in mm.



BTX 400 N1



Body Features

304-grade (opt. 316-grade) brushed finished stainless steel, electrostatic painted surface or mixed combination versions. (opt. hot dip galvanizing under coating for outdoor models). Complying to UK H&S regulations of max. 98 mm gap between upright profiles. Top lid is equipped with damper for safety and service convenience. Intelligent illumination system provides energy saving feature (illuminating automatically in darkness/at night and optionally can run parallel with site illumination).

Arm Features

Four-section rotor (90°). Each section contains nine Ø42mmx2.5mm electrostatic powder coated hot dip galvanized or Ø40mm stainless steel (opt. Ø38, Ø42 and Ø45mm) arms.

Power Requirements

110/220-240 V. 60/50Hz. AC (%±10) 24V. DC at standby ~8W. max. ~20W.

Control System

All inputs are opto-coupler protected. Compatible with all access control systems that provide dry contact or grounding outputs. Optional RS232/RS485/TCP IP control module is available.

Flow Rate

Capacity of mechanism (manual) : Max. 60 pass/min. **Nominal** : ~18 pass/min.
Capacity of mechanism (motorized) : Max. 48 pass/min. **Nominal** : ~15 pass/min.
 *Utilisation of different access control units can change the flow rate.

Emergency Mode

System allows free passage in emergency mode and in case of power failure.

Operation Temperature, Humidity, IP Rating

-20°C to + 68°C (Opt. -50°C with heater unit), RH 95% non-condensing / IP 56 outdoor model (opt. IP 66)

Minimum Passage Performance

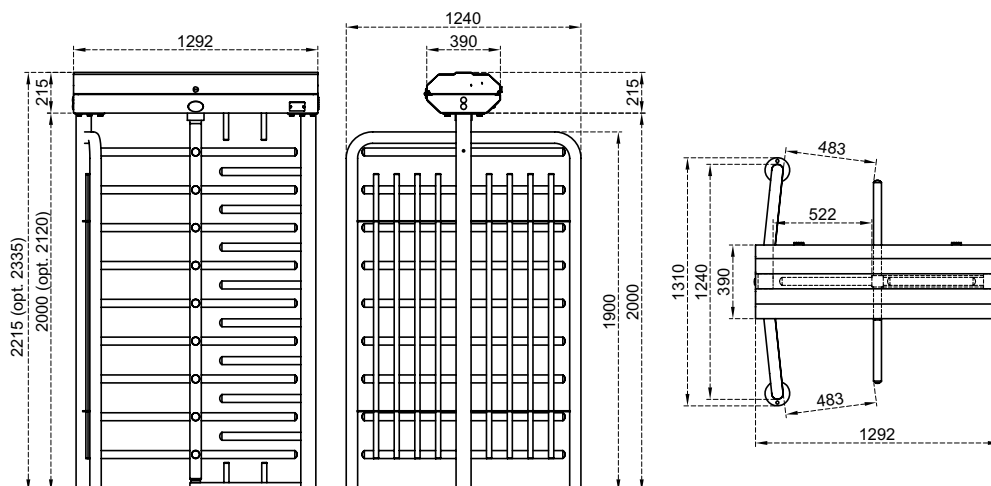
≥ 15 million passages.

Operation

Manually operated bi-directional system (optional motorized) with dip switch selectable operational modes including controlled access on both sides, one side free (exit or entry) and other side controlled access and access restriction modes.

Optional Accessories and Applications

Remote control units, interface unit for PC, RS485, RS232 and LAN, counter, audio-messaging system, floor mounting plate, coin slot/intelligent coin system and coin box, card reader pole, seat limiter for stadium solutions, animated indicators, internal battery and charge unit, motor driven unit, heater positive unit, separators, canopy, card reader mounting bracket, special illumination adaptation.



BTX 400 N1 D



Body Features

304-grade (opt. 316-grade) brushed finished stainless steel, electrostatic painted surface or mixed combination versions. (opt. hot dip galvanizing under coating for outdoor models). Complying to UK H&S regulations of max. 98 mm gap between upright profiles. Top lid is equipped with damper for safety and service convenience. Intelligent illumination system provides energy saving feature (illuminating automatically in darkness/at night and optionally can run parallel with site illumination).

Arm Features

A pair of four-section (90°) rotors. Each section contains ten Ø42mmx2.5mm electrostatic powder coated hot dip galvanized or Ø40mm stainless steel (opt. Ø38, Ø42 and Ø45mm) arms.

Power Requirements

110/220-240 V. 60/50Hz. AC (%±10) 24V. DC, at standby ~8W. + ~8W. max. ~20W. + ~20W.

Control System

All inputs are opto-coupler protected. Compatible with all access control systems that provide dry contact or grounding outputs. Optional RS232/RS485/TCP IP control module is available.

Flow Rate

Capacity of mechanism (manual) : Max. 60 + 60 pass/min. **Nominal** : ~18 + ~18 pass/min.
Capacity of mechanism (motorized) : Max. 48 + 48 pass/min. **Nominal** : ~15 + ~15 pass/min.
 *Utilisation of different access control units can change the flow rate.

Emergency Mode

System allows free passage in emergency mode and in case of power failure.

Operation Temperature, Humidity, IP Rating

-20°C to + 68°C (opt. -50°C with heater unit), RH 95% non-condensing / IP 56 outdoor model (Opt. IP 66).

Minimum Passage Performance

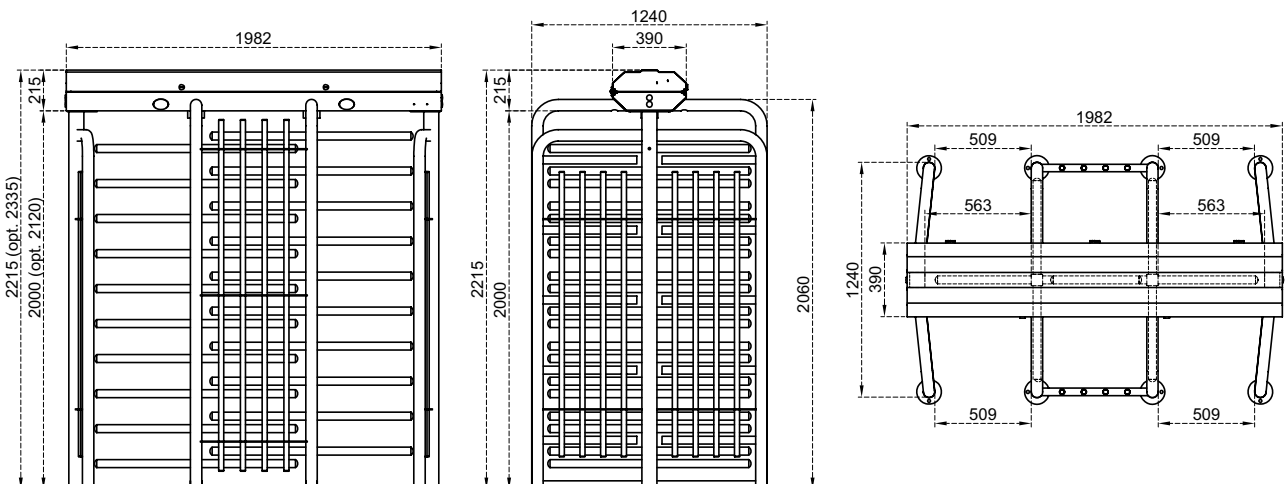
≥ 15 million passages.

Operation

Manually operated bi-directional system (optional motorized) with dip switch selectable operational modes including controlled access on both sides, one side free (exit or entry) and other side controlled access and access restriction modes.

Optional Accessories and Applications

Remote control units, interface unit for PC, RS485, RS232 and LAN, counter, audio-messaging system, floor mounting plate, coin slot/intelligent coin system and coin box, card reader pole, seat limiter for stadium solutions, animated indicators, internal battery and charge unit, motor driven unit, heater positive unit, separators, canopy, card reader mounting bracket, special illumination adaptation.

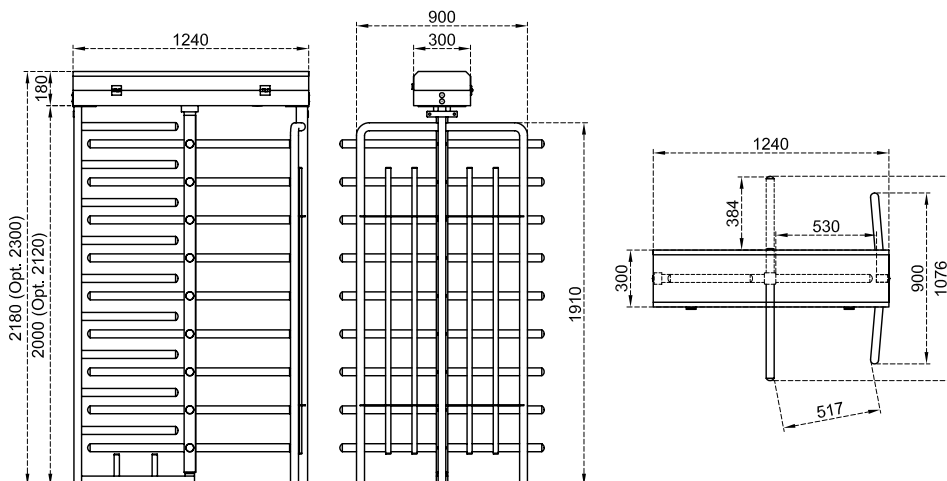




ECOLINE 400



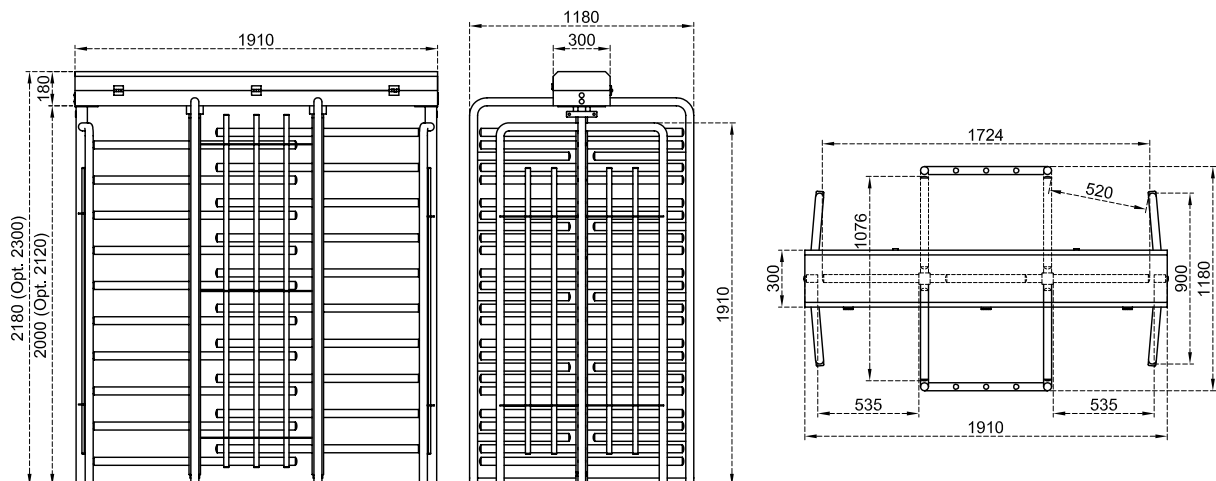
Body Features	304-grade (opt. 316-grade) brushed finished stainless steel, electrostatic painted surface or mixed combination versions. (opt. hot dip galvanizing under coating for outdoor models) with down light.
Arm Features	Four-section rotor (90°). Each section contains nine Ø42mmx2.5mm electrostatic powder coated hot dip galvanized or Ø40mm stainless steel (opt. Ø38, Ø42 and Ø45mm) arms.
Power Requirements	110/220-240 V. 60/50Hz. AC (%±10) 24V. DC at standby ~3W. max. ~15W.
Control System	All inputs are opto-coupler protected. Compatible with all access control systems that provide dry contact or grounding outputs. Optional RS232/RS485/TCP IP control module is available.
Flow Rate	Capacity of mechanism (manual) : Max. 60 pass/min. Nominal : ~18 pass/min. Capacity of mechanism (motorized) : Max. 48 pass/min. Nominal : ~15 pass/min. *Utilisation of different access control units can change the flow rate.
Emergency Mode	System allows free passage in emergency mode and in case of power failure.
Operation Temperature, Humidity, IP Rating	-20°C to + 68°C (Opt. -50°C with heater unit), RH 95% non-condensing / IP 56 outdoor model (opt. IP 66).
Minimum Passage Performance	≥ 15 million passages.
Operation	Manually operated bi-directional system (optional motorized) with dip switch selectable operational modes including controlled access on both sides, one side free (exit or entry) and other side controlled access and access restriction modes.
Optional Accessories and Applications	LED direction and status indicators, remote control units, interface unit for PC, RS485, RS232 and LAN, counter, audio-messaging system, floor mounting plate, coin slot/intelligent coin system and coin box, card reader pole, seat limiter for stadium solutions, animated indicators, internal battery and charge unit, motor driven unit, heater positive unit, separators, card reader mounting bracket.



ECOLINE 400 D



Body Features	304-grade (opt. 316-grade) brushed finished stainless steel, electrostatic painted surface or mixed combination options. (opt. hot dip galvanizing under coating for outdoor models) with down light.
Arm Features	A pair of four-section (90°) rotors. Each section contains ten Ø42mmx2.5mm electrostatic powder coated hot dip galvanized or Ø40mm stainless steel (Opt. Ø38, Ø42 and Ø45mm) arms.
Power Requirements	110/220-240 V. 60/50Hz. AC (%±10) 24V. DC at standby ~3W + ~ 3W. max. ~15W + ~15W
Control System	All inputs are opto-coupler protected. Compatible with all access control systems that provide dry contact or grounding outputs. Optional RS232/RS485/TCP IP control module is available.
Flow Rate	Capacity of mechanism (manual) : Max. 60 + 60 pass/min. Nominal : ~18 + ~18 pass/min. Capacity of mechanism (motorized) : Max. 48 + 48 pass/min. Nominal : ~15 + ~15 pass/min. *Utilisation of different access control units can change the flow rate.
Emergency Mode	System allows free passage in emergency mode and in case of power failure.
Operation Temperature, Humidity, IP Rating	-20°C to + 68°C (opt. -50°C with heater unit), RH 95% non-condensing / IP 56 outdoor model (opt. IP 66).
Minimum Passage Performance	≥ 15 million passages.
Operation	Manually operated bi-directional system (optional motorized) with dip switch selectable operational modes including controlled access on both sides, one side free (exit or entry) and other side controlled access and access restriction modes.
Optional Accessories and Applications	LED direction and status indicators, remote control units, interface unit for PC, RS485, RS232 and LAN, counter, audio-messaging system, floor mounting plate, coin slot/intelligent coin system and coin box, card reader pole, seat limiter for stadium solutions, animated indicators, internal battery and charge unit, motor driven unit, heater positive unit, separators, card reader mounting bracket.





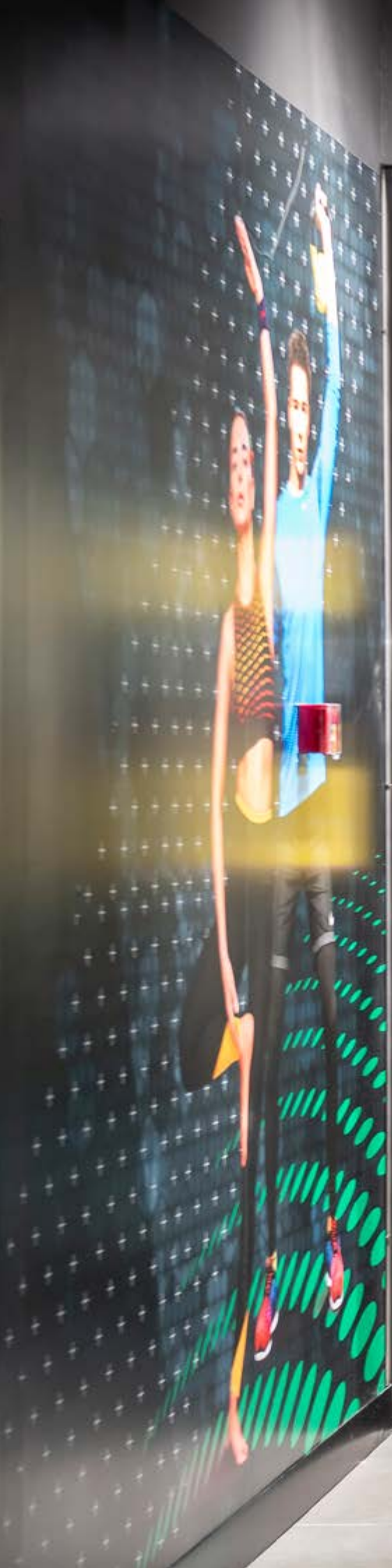
TÜRK TELEKOM ARENA





D6  D6
411 412





KAPIYI
AÇMAK İÇİN





Full Height Turnstiles
Glass & High Security Series

**KAPIYI
AÇMAK İÇİN**

1. SİFİRİ
RENKİ
DİR

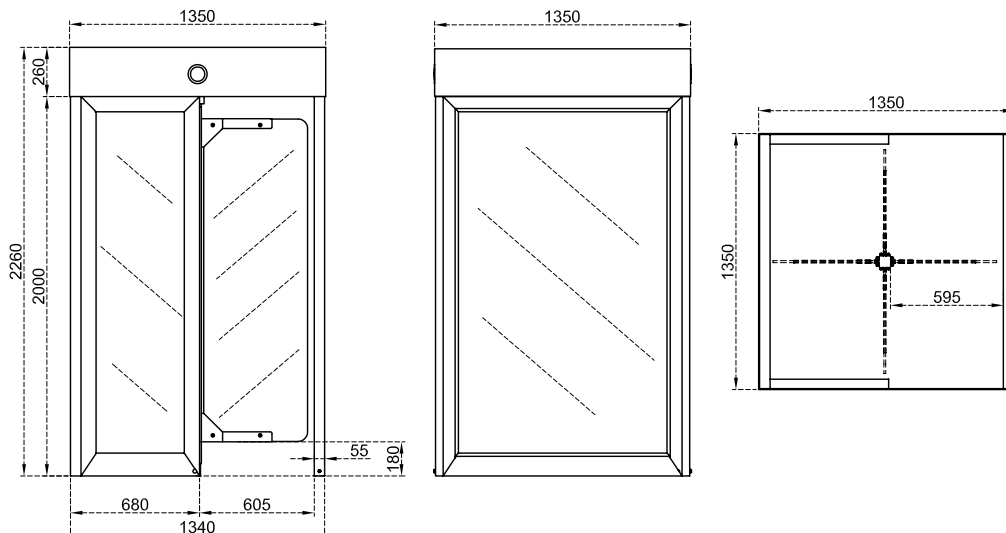
2. AYNI
İÇİNİ
OKUT



BT 400 GL



Body Features	The main supporting structure is made of 304 grade stainless steel with tempered glass side walls. Water resistant top cover with matching frame around.
Wing Features	Four-section rotor (90°). Each section comprises of 10mm tempered glass revolving wings.
Power Requirements	110/220-240 V. 60/50Hz. AC (%±10) 24V. DC at standby ~8W. max. ~20W
Control System	All inputs are opto-coupler protected. Controlled by dry contact or grounding input. Compatible with all access control systems that provide dry contact or grounding outputs. Optional RS232/RS485/TCP IP control module is available.
Flow Rate	Capacity of mechanism (manual) : Max. 60 pass/min. Nominal : ~18 pass/min. Capacity of mechanism (motorized) : Max. 48 pass/min. Nominal : ~15 pass/min. *Utilisation of different access control units can change the flow rate.
Emergency Mode	System allows free passage in emergency mode and in case of power failure.
Operation Temperature, Humidity, IP Rating	-20°C to +68°C (opt. -50°C with heater unit), RH 95% non-condensing / IP 56 outdoor model (opt. IP 66).
Minimum Passage Performance	≥ 15 million passages.
Operation	Motorized bi-directional system (optional Manual) with dip switch selectable operational modes including controlled access on both sides, one side free (exit or entry) and other side controlled access and access restriction modes.
Optional Accessories and Applications	Remote control units, interface unit for PC, RS485, RS232 and LAN, counter, audio-messaging system, floor mounting plate, coin slot/ intelligent coin system and coin box, card reader pole, seat limiter for stadium solutions, animated indicators, internal battery and charge unit, heater positive unit, separators, card reader mounted bracket, down light.



*Design and specifications are subject to change without notice. *All dimensions are in mm.



الأحوال المدنية

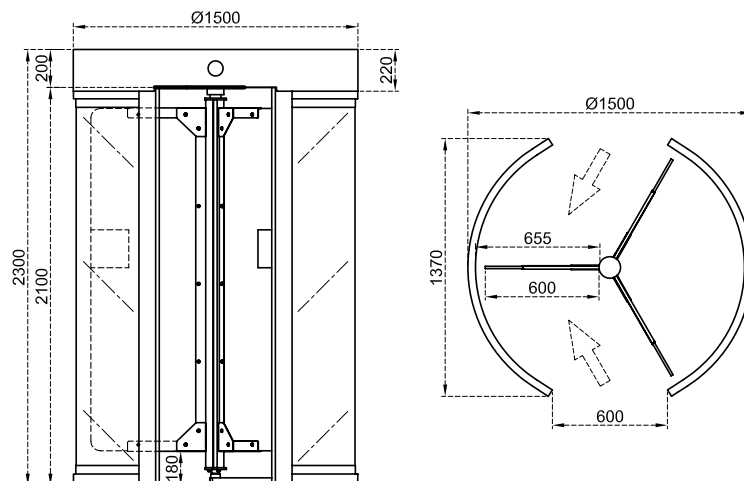




BT 302 GL



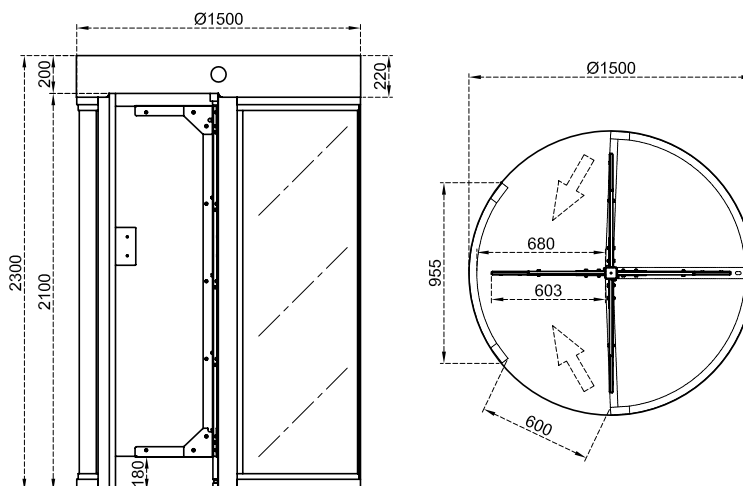
Body Features	The main frame structure is made of 304 grade stainless steel with 4+4 mm laminated glass side walls. Water resistant top cover with matching stainless steel frame around. Service and maintenance from the ceiling of cabin.
Wing Features	Three-section rotor (120°). Each section comprises 12 mm tempered (opt. 6+6mm laminated) glass revolving wings.
Power Requirements	110/220-240 V. 60/50Hz. AC (%±10) 24V. DC at standby ~8W. max. ~20W.
Control System	All inputs are opto-coupler protected. Controlled by dry contact or grounding input. Compatible with all access control systems that provide dry contact or grounding outputs. Optional RS232/RS485/TCP IP control module is available.
Flow Rate	Capacity of mechanism (manual) : Max. 60 pass/min. Nominal : ~18 pass/min. Capacity of mechanism (motorized) : Max. 48 pass/min. Nominal : ~15 pass/min. *Utilisation of different access control units can change the flow rate.
Emergency Mode	System allows free passage in emergency mode and in case of power failure.
Operation Temperature, Humidity, IP Rating	-20°C to +68°C (opt. -50°C with heater unit), RH 95% non-condensing / IP 56 outdoor model (opt. IP 66).
Minimum Passage Performance	≥ 15 million passages.
Operation	Manually operated bi-directional system (optional motorized) with dip switch selectable operational modes including controlled access on both sides, one side free (exit or entry) and other side controlled access and access restriction modes.
Optional Accessories and Applications	Remote control units, interface unit for PC, RS485, RS232 and LAN, counter, audio-messaging system, floor mounting plate, card reader pole, animated indicators, internal battery and charge unit, heater positive unit, separators, card reader mounting bracket, photocell sensors for preventing unauthorized passage.



BT 402 GL



Body Features	The main frame structure is made of 304 grade stainless steel with 4+4 mm laminated glass side walls. Water resistant top cover with matching stainless steel frame around. Service and maintenance from the ceiling of cabin.
Wing Features	Three-section rotor (90°). Each section comprises 12 mm tempered (opt. 6+6mm laminated) glass revolving wings.
Power Requirements	110/220-240 V. 60/50Hz. AC (%±10) 24V. DC at standby ~8W. max. ~20W
Control System	All inputs are opto-coupler protected. Controlled by dry contact or grounding input. Compatible with all access control systems that provide dry contact or grounding outputs. Optional RS232/RS485/TCP IP control module is available.
Flow Rate	Capacity of mechanism (manual) : Max. 60 pass/min. Nominal : ~18 pass/min. Capacity of mechanism (motorized) : Max. 48 pass/min. Nominal : ~15 pass/min. *Utilisation of different access control units can change the flow rate.
Emergency Mode	System allows free passage in emergency mode and in case of power failure.
Operation Temperature, Humidity, IP Rating	-20°C to +68°C (opt. -50°C with heater unit), RH 95% non-condensing / IP 56 outdoor model (opt. IP 66)
Minimum Passage Performance	≥ 15 million passages.
Operation	Manually operated bi-directional system (optional motorized) with dip switch selectable operational modes including controlled access on both sides, one side free (exit or entry) and other side controlled access and access restriction modes.
Optional Accessories and Applications	Remote control units, interface unit for PC, RS485, RS232 and LAN, counter, audio-messaging system, floor mounting plate, card reader pole, animated indicators, internal battery and charge unit, heater positive unit, separators, card reader mounting bracket, photocell sensors for preventing unauthorized passage.



*Design and specifications are subject to change without notice. *All dimensions are in mm.



CGG 100 - 02 AIR

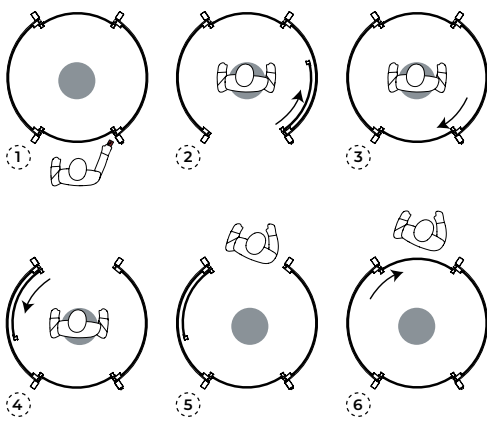
CGG 75 - 02 AIR



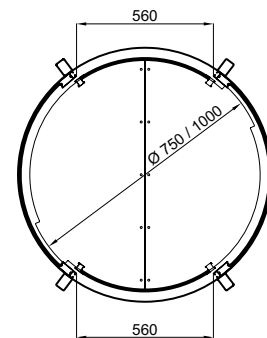
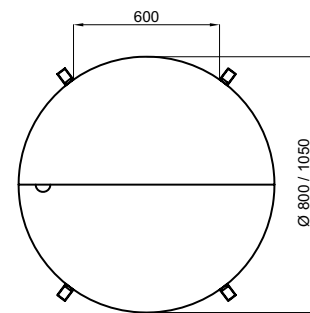
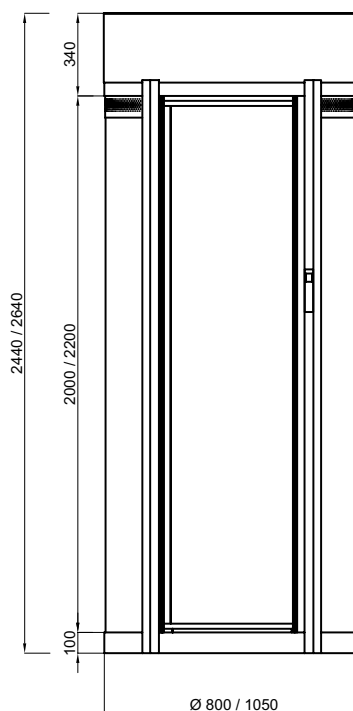
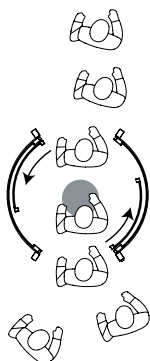
Body Features	Cylinder shaped, consisting of resistant to breaking 4mm+4mm transparent laminated rounded glass walls and electrostatic powder coated steel sheets and beams (optionally in preferred RAL color). Passage area contains LED illumination and fresh air ventilation supplying continuous fresh air.
Rotating Doors	4mm+4mm transparent laminated rounded glass doors for entry and exit rotating independent from each other with a circular motion and driven by motor. Doors in locked status, are structured not be opened in case they are forced to open with unauthorised attempts.
Indicators and Signalization	Contains animated DOT MATRIX indicators on vertical beams in addition to LED strips on both door beams on each side which determines passage status of the gate. Gate interiors are equipped with LED status indicators on the ceiling.
Power Requirements	110/220 V – 60/50 Hz. AC (% ± 10), 24 V DC by switch mode power supply (SMPS) and filtered. Stand-by: ~14 W, in-operation/max. ~130 W.
Flow Rate	~5 passages/min. *Application of different access control procedures can change the flow rate.
Control System	Can be controlled by dry contact (ground control). Compatible with all access control systems (barcode and card readers, biometric verification devices etc) that provide dry contact or grounding outputs. Optionally can be controlled with RS232, RS485 or LAN (network).
Operation Temperature, Humidity, IP Rating	(-20°C) – (+68°C) (opt:- 50°C with heater positive) , RH 95% (±2%) (non-condensing) , IP 44 - indoor.
Minimum Passage Performance	≥15 million passages.
Operation	Bidirectional (in & out), motorized. Gate is normally in closed position, provides access to the desired direction upon authorization from the access control device (3rd party product). Optionally a 2nd level access control for the person inside can be integrated for the person in the gate. Gate is equipped with reflective infrared sensors for detecting presence of the person in the passage area. In case passage fails to be completed for any reason, the person is always returned to his entry direction. In case an unauthorized person attempts to enter into the gate when another person exits completing his access, system locks and returns the unauthorized person to his entry direction. System contains special design and CE certified solenoid switch that do not heat up more than max. 10°C .

Emergency Mode and Power-off Situation	<p>In case of fire or other emergency signal; both doors open automatically to provide rapid evacuation (fail safe).</p> <p>In case of an emergency situation during passage; person inside can open the door (at his entry direction) to exit by the emergency push button located on the ceiling of passage area.</p> <p>In case of power failure; both doors open automatically (fail safe), locked status of doors (fail secure) is optionally available.</p>
Safety	<p>Pneumatic pressure sensors attached to door side frames prevent harm to people by stopping the movement of the doors in case of contact to the person passing through the door.</p> <p>In addition to the pneumatic sensors, the belt clutch system on the mechanical drivetrain makes the door never stuck people thus prevents harm.</p>
Security Packages (optional)	<ul style="list-style-type: none"> - load cell weight sensor on gate floor standard, multi point load cell area control optional, - Installation of ground or ceiling mounted card reader/authorization device bracket for 2nd level access control application (for 3rd party device), - Secure Pass 3D Camera Detector for detection of unauthorized person entry and counting number of persons independently entering and exiting (it is possible to detect number of people inside and to prevent unauthorized passage by entering persons counter), - Secure passage lane (rail lane) application (requires project based consultation), - Active standing area, - Inactive standing area.
Cleaning - Maintenance Function	<p>Gate is furnished by a programmable key switch button on one side of the gate adjacent to the door.</p> <p>This button is programmable for the function desired by the user and set as default for opening one door for cleaning-maintenance or other purpose.</p> <p>Optionally, by activating the button;</p> <ul style="list-style-type: none"> - the door on the same side opens and both doors become free to rotate manually for easy cleaning, or - can be programmed for various requests (i.e. manually evacuation of the person inside, unlocking of 1st or 2nd door, etc.)
Optional Accessories and Features	<p>Security packages (see functional specifications/security packages), alternative color options, fail secure mode for emergency situation, RS232/RS485/LAN (network) control, intercom unit, heater positive, bullet proof glass, easy installation and adjustable raised floor mounting apparatus, alternative body and door materials, floor control system (load cell) and other units.</p>

AUTHORISED ACCESS



EMERGENCY MODE (Mass Evacuation)



*Design and specifications are subject to change without notice. *All dimensions are in mm.



YATIRIM
KAPILI
AÇMAK İÇİN
BİR
KİME
BİR
BİR
BİR



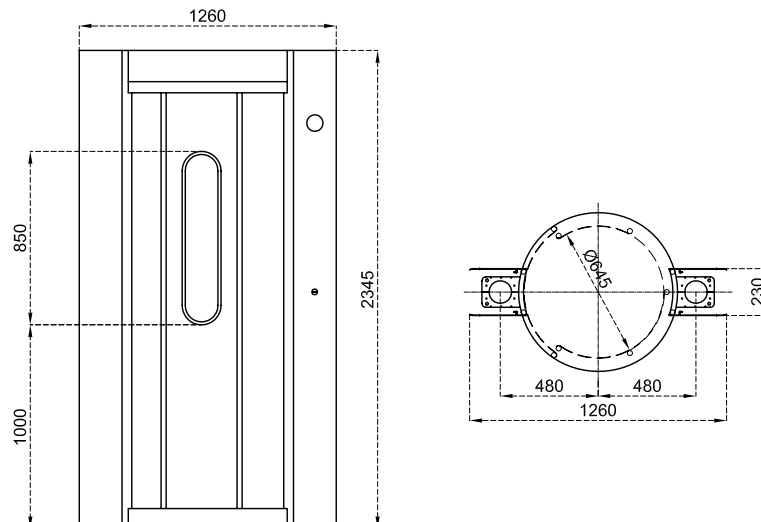




CGC 100



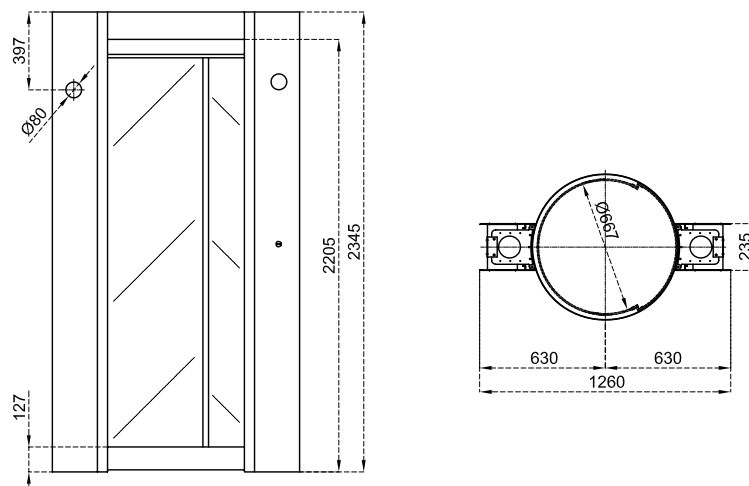
Body Features	Cylindrical shaped, 1,5 mm thick, 304 grade stainless steel Control unit is located above the ceiling panel on top cabinet. Interior-Motor-Driven rotating cylindrical cabinet provides controlled by directional access.
Power Requirements	110/220-240 V. 60/50Hz. AC (%±10) 24V. DC at standby ~14 W. max. ~130 W
Control System	All inputs are opto-coupler protected. Controlled by dry contact or grounding input. Compatible with all access control systems that provide dry contact or grounding outputs. Optional RS232/RS485/TCP IP control module is available.
Flow Rate	Capacity of mechanism: ~2 passages/minute; Nominal: ~2 passages/minute (recommended reference figure). *Utilisation of different access control units can change the flow rate.
Operation Temperature, Humidity, IP Rating	-20°C to +68°C / RH 95% non-condensing / IP 44 indoor model.
Minimum Passage Performance	≥ 15 million passages.
Operation	Electronically controlled DC motor driven bi-directional system for access control in high security installations.
Optional Accessories and Applications	Weight sensor.



CGG 100



Body Features	Cylindrical shaped, 1,5 mm thick, 304-grade stainless steel. Exterior-fixed access doors located between the supporting structure and the wall. Control unit is located above the ceiling panel on top cabinet. Interior-motor-driven rotating cylindrical cabinet provides control by directional access.
Power Requirements	110/220-240 V. 60/50Hz. AC (%±10) 24V. DC at standby ~14 W. max. ~130 W.
Control System	All inputs are opto-coupler protected. Controlled by dry contact or grounding input. Compatible with all access control systems that provide dry contact or grounding outputs. Optional RS232/RS485/TCP IP control module is available.
Flow Rate	Capacity of mechanism: ~2 passages/minute; Nominal: ~2 passages/minute (recommended reference figure). *Utilisation of different access control units can change the flow rate.
Operation Temperature, Humidity, IP Rating	-20°C to +68°C / RH 95% non-condensing / IP 44 indoor model.
Minimum Passage Performance	≥ 15 million passages.
Operation	Electronically controlled DC motor driven bi-directional system for access control in high security installations.
Optional Accessories and Applications	Weight sensor, bullet-proof glass.



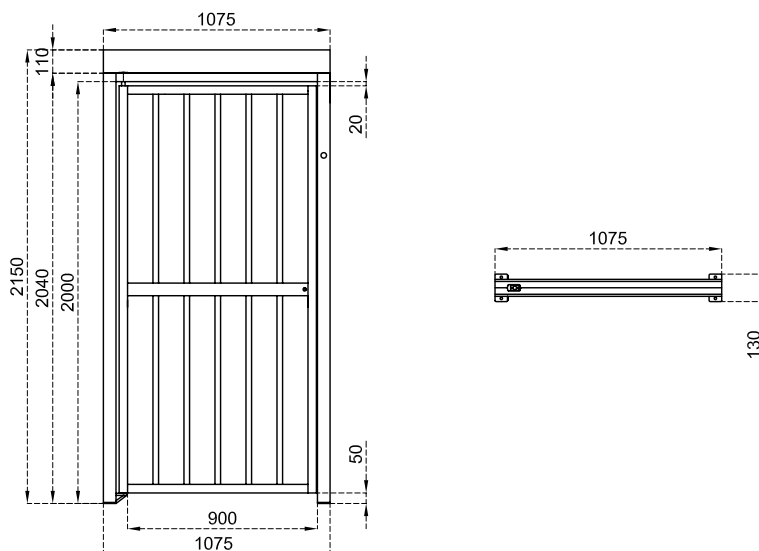
*Design and specifications are subject to change without notice. *All dimensions are in mm.



PEDESTRIAN GATE



Body Features	All parts of the construction are powder coated galvanised mild steel or 304-grade stainless steel, protected against water for outdoor use. Passage width: 900 mm. Complying to UK H&S regulations of max. 98 mm gap between upright profiles.
Wing	40 x 40 x 2 mm frame with $\varnothing 27 \times 2$ mm upright bars and 40 x 60 x 2 mm horizontal center profile.
Power Requirements	24V DC. at standby 360 mA, at operation 900 mA.
Control System	Controlled by dry contact or grounding input. Compatible with all access control systems that provide dry contact or grounding outputs. Optional RS232/RS485/TCP IP control module is available.
IP Rating	IP 56
Minimum Passage Performance	≥ 15 million passages.
Optional Accessories and Applications	Electromagnetic lock with alert buzzer, green - red status indicators, automatic door closer, dead-bolt-lock, installation panels for various applications. Capability of using as emergency exit gate after adaptation.



**Design and specifications are subject to change without notice. *All dimensions are in mm.*

CONTAINER for Turnstile

Movable Turnstiles



Construction Sites

Activities

Concerts

Festivals

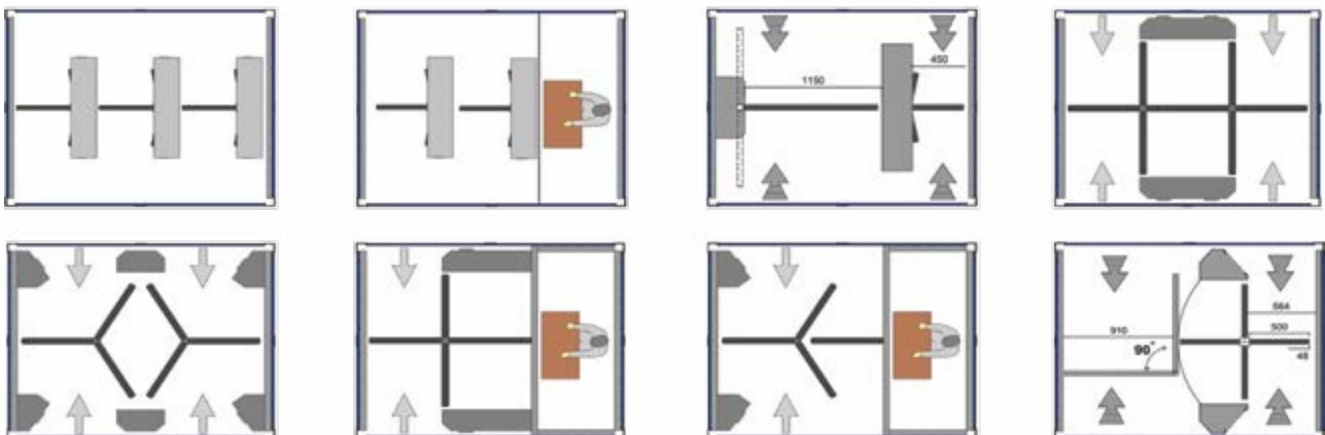
Events

Stadiums





Dimensions	2240 x 1870 x 2550 mm (2250 x 2170 x 2750 mm roller shutter)(Optional dimensions are available).
Body Features	45 - 50 mm composite panel (Optional materials are available).
Standard Features	3 mm bottom chassis + roof with 4 rain gutters + all construction electrostatic coated over hot dip galvanization.
Mobility	Can be lifted and moved from the top by crane. Can be lifted and moved from the bottom by forklift or pallet truck.
Accessories	LED daylight interior illumination, room: data + phone line + (110/220V) plug and 2 shelves, top shutter opening upwards (wing), ramp for wheelchair access, illuminated advertisement billboard, access console.







ACCESSORIES

Automatic Drop (retractable) Arm



Manual Controls



Counter



Coin Mechanism



Illumination



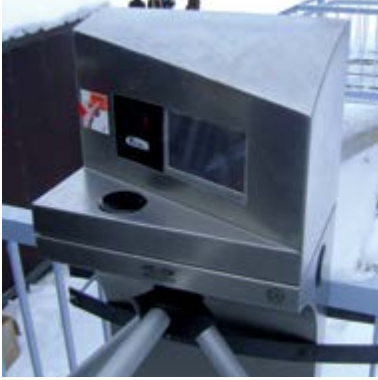
Card Reader Mounting Poles



Card Reader Mounting Brackets



CUSTOMISATIONS





BEOGS - 1

BIYOMETRİK ENTEGRE OTOMATİK GEÇİŞ SİSTEMİ

GİDEN

BEOGS - 2

BIYOMETRİK ENTEGRE OTOMATİK GEÇİŞ SİSTEMİ

GİDEN




THE RIGHT CHOICE



GEÇİŞ TEKNOLOJİLERİ
SAN. TİC. A.Ş.



@ozakmedia

 Köseköy, Çuhane Cd.
N:130 41080 Kartepe
Kocaeli / TURKEY

 +90 262 373 48 48

 ozak-t.com
ozak@ozak-t.com



23.08.2019
DD-1302-0064 R(3)